

PRODUCT CATALOGUE WITH ACCESSORIES

Machinery & Tools



www.robels.com



ROBEL EFFICIENT. ERGONOMIC. READY FOR USE.

Since 1901, ROBEL has been developing, manufacturing and supplying track construction machines meeting the highest demands on safety and economic efficiency. This is the motivation for the 500 staff at ROBEL's Freilassing site to deliver powerful machines, systems and services for the construction and maintenance of railway infrastructure worldwide.

Powerful client cooperation.

Only those who listen will find out about the requirements of worksite operations. With an international network of representations and service partners, ROBEL is at the heart of local markets. As a result, we develop safe, user-friendly products of high quality.

Powerful machines.

Knowledge paves the way to innovation. ROBEL utilises experience and inventiveness to convert new technologies – also from other industries – into solutions tailored to rail construction, tested on our factory sidings, certified in the region of deployment.

Great service.

Professional customer service keeps machines operational where results are key. The customer decides how intensive the cooperation should be. ROBEL provides a reliable and precise service, from supply of spare parts to a 360-degree service.

Overview of machines & tools

Whatever the challenge on the track: ROBEL has the matching solution. The ROBEL Machines & Tools catalogue provides an overview over the complete portfolio of hand-guided machines and equipment. ROBEL Systems & Vehicles as well as Service & Support can be found in their own product catalogues and as online versions at www.robels.com.

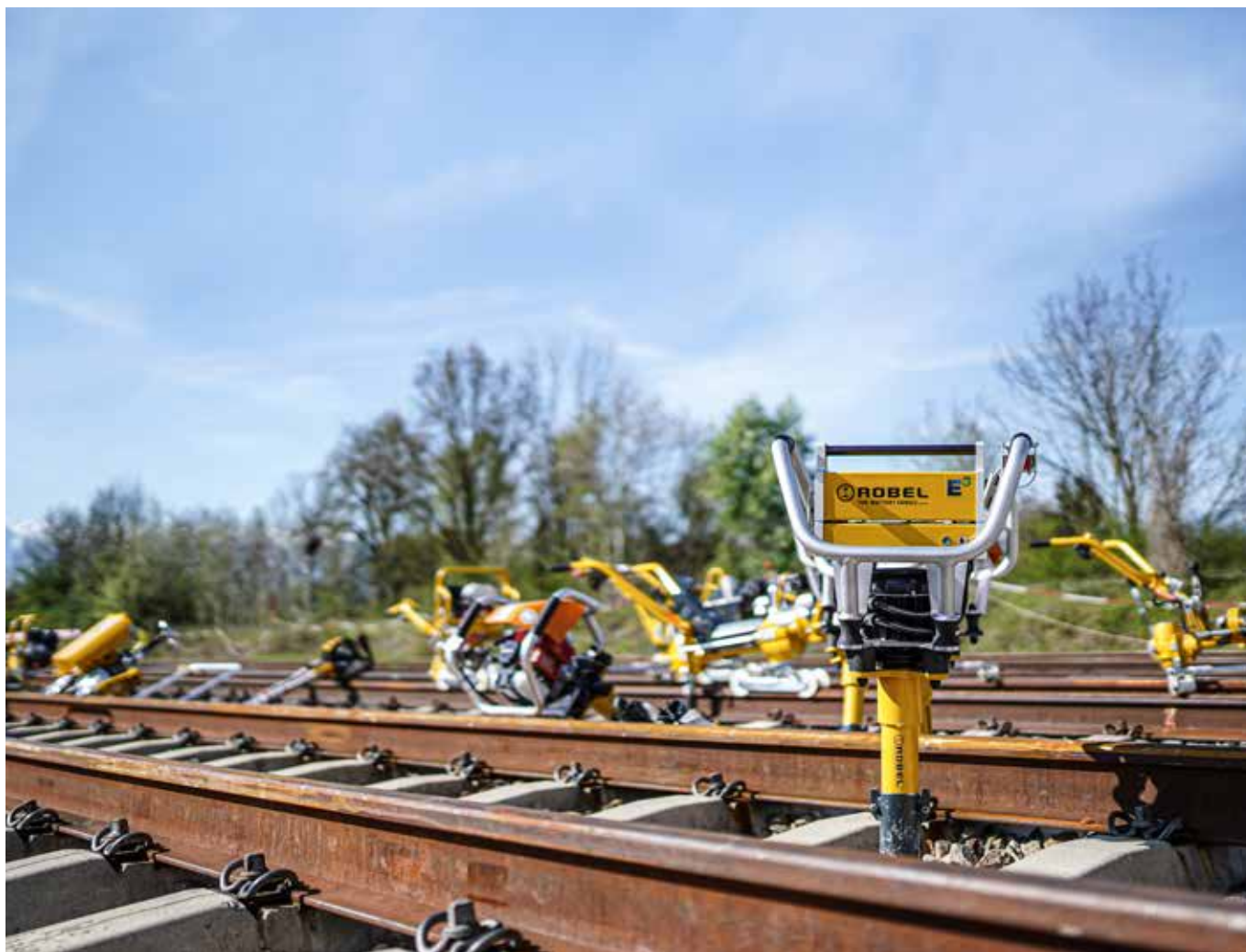
Certified performance

- Quality management system certified to DIN EN ISO 9001:2015
- Environmental management system certified to DIN EN ISO 14001
- Silver Level in EcoVadis CSR rating
- Welding of railway vehicles and components to DIN EN 15085-2
- Adhesive bonding of railway vehicles and components to DIN 6701 (Class 1A)
- Q1 Supplier of DB AG
- TransQ qualification (Scandinavia)
- RISQS certification UK

Strong on the track. Strong on the Internet.

The ROBEL website www.robels.com keeps you up-to-date on new developments relating to our products and offers a digital version of this catalogue for downloading. Our sales team in Freilassing, our field service and the ROBEL agents worldwide will be pleased to assist you with enquiries and requests.

ROBEL. Great on Track.



CONTENTS

BATTERY TECHNOLOGY

ROBEL E ³ , ROBATTERY 71.01, 71.02	08
RODRILL 10.20 E ³ Battery Powered Rail Drilling Machine	12
ROBORE 11.20 E ³ Battery Powered Sleeper Drilling Machine	14
ROSAW 12.20MSB E ³ Battery Powered Rail Band Saw	16
ROGRIND 13.45MD E ³ Welding Joint Grinding Machine	17
ROGRIND 13.49 E ³ Hybrid Rail Head Profile Grinding Machine	19
ROCUT 13.90 E ³ Electrical Rail Cutter	21
ROMPACT 30.20 E ³ Battery Powered Impact Wrench	23
ROWRENCH 30.76 E ³ Electric Precision Power Wrench	25
ROWRENCH 30.82HKS E ³ Battery Powered Universal Wrenching Machine	27
ROSPIKE 33.25 E ³ Battery Powered Spike Driver	28
ROCLIP 34.01 E ³ Battery Powered Clipping Machine	29
ROTAMP 62.20L E ³ Battery Powered Vertical Tamper	30
ROCONVERT 72.01 E ³ Battery Conversion Kit	32
ROPOWER 76.20 E ³ High-Pressure Power Pack-Battery	34

DRILLING

RODRILL 10.40 Rail Drilling Machine	36
ROBORE 11.12 Portable Sleeper Drilling Machine	38

CUTTING

ROSAW 12.72MSB Mobile Rail Band Saw	40
ROCUT 13.70 Rail Cutter	41
ROCUT 13.86 Rail Cutter	42

GRINDING

ROGRIND 13.45RS Rail Head Grinding Machine	44
ROGRIND 13.45SKS Rail Head Grinding Machine	46
ROGRIND 13.45WBF Welding Joint Grinding Machine	47
ROGRIND 13.48 Rail Head Profile Grinding Machine	48
ROGRIND 13.63 Modular Rail and Switch Grinding Machine	52
ROTRIM 14.10 Hydraulic Weld Trimmer	53
ROFACE 16.01 Rail Milling Machine	58

STRESSING/PULLING/BENDING

ROBEND 22.28 Switch Blade Lining Device	61
ROBEND 22.38 Hydraulic Rail Bender	62
ROGAUGE 24.06 Gauge Bar	63
ROSHOE 24.08 Rail Pulling Shoe	63
ROPULL 24.12 Hydraulic Rail Pulling and Pushing Device	64

ROSTRESS 24.70 Hydraulic Rail Stressor	65
ROCARRY 25.16 Rail Carrying Roller	66
ROLAX 26.01 Rail De-Stressing Machine	67
ROHEAT 66.01 Rail Heater	69

WRENCHING/CLIPPING

ROMPACT 30.09 Portable Impact Wrench	72
ROMPACT 30.10 Portable Impact Wrench	73
ROWRENCH 30.73PSM Hydraulic Precision Power Wrench	74
ROWRENCH 30.77 Automated 8-Spindle Precision Power Wrench	77
ROWRENCH 30.82RKS Universal Power Wrench	77
ROWRENCH 30.82HKS Universal Power Wrench	81
ROWRENCH 30.83 Combined Power Wrench and Drilling Machine	84
ROBOLT 31.82 Fish Bolt Spanner	86
ROTORQUE 86.12+ Torque Meter	86
ROCLIP 34.01 Clipping Machine	87
ROCLIP 34.02 Modular Clipping Machine	89
ROCLIP 34.90 Clipping Device	92
ROTOOL 35.01/35.02 Fish Bolt Spanner	93
ROTOOL 36.02/04 Socket Wrench	94
ROTOOL 38.01 Support Lever	94
ROTOOL 37.04 Open-End Wrench	95
Sockets – one-piece, split and articulated	96

LIFTING/LOADING/TRANSPORTING

ROLIFT 40.05 Rail Lifting Device	98
ROLOAD 40.51 Rail Loading and Transporting Unit	98
ROCARRY 42.02 Rail Carrying Tongs	99
ROCARRY 42.10/42.11 Rail Carrying Roller Tongs	100
ROCARRY 42.22 Rail Carrying Tongs with Suspension Eye	100
ROCARRY 42.25 Rail Carrying Roller Tongs	101
ROMOVE 43.02 Rail Mover	101
ROLIFT 43.25 Hydraulic Rail Lifting Device	102
ROTHREAD 43.32 Rail Threader	104
ROTOOL 44.17 Wooden Sleeper Carrying Tongs	106
ROTOOL 44.18 Sleeper Puller	106
ROTOOL 44.20 Concrete Sleeper Carrying Tongs	107
ROJACK 46.43/45/47/50 Track Jack with Safety Crank Handle	107
ROJACK 47.14 Mechanical Track Jack	108
ROJACK 47.17 Hydraulic Track Jack	108
ROALIGN 47.230 Hydraulic Track Lifting Machine with Slewing Device	109
ROLLY 50.17 Ergonomics Support Trolley	111
ROLLY 51.12 Light Track Trolley	112
ROLLY 52.16 Transporting Device	113
ROTOW 52.18 Towing Device	114
ROLLY 52.30 Track Trolley	115
ROCOUPLE 58.03/58.62 Tow Bars	115
ROMOVER 59.08 Wagon Mover	116
ROCHOCK 59.09 Wheel Chock	116
ROSTOP 59.10 Drag Shoe	117
RODERAIL 59.11 Double Drag Shoe	117
RORERAIL 59.12 Double-Sided Rerailing Frog	118
ROJOINT 68.61 Rail Puller	118
ROJOINT 68.61 Rail Joiner	118

TAMPING

ROTAMP 62.05CC Vertical Tamper	120
ROTAMP 62.05L Vertical Tamper Light	122

POWER/LIGHTING

ROPOWER 70.01 Generator	125
ROPOWER 70.02 Hybrid Drive Unit	126

ROPOWER 70.03 Power Supply	126
ROPOWER 76.02 High-Pressure Power Pack-Petrol	127
ROLIGHT 73.06 Site Illumination	128
ROLIGHT 73.20 Site Illumination	129

SECURING/MEASURING

ROCLAMP 68.05 Rail Clamp	131
ROMEAS 82.05/82.06 Versine Measuring Device	133
ROMEAS 82.07 VIG 1300 Sighting and Levelling Unit	133
ROMEAS 82.11 SQUARE Track Square	134
ROMEAS 83.07 RCA Switch Gauge and Superelevation Measuring Device	135
ROMEAS 83.15 POINT Fixed Point Measuring Device	135
ROMEAS 83.18 MK150 Joint Gap Measuring Device	136
ROMEAS 83.20 GG718 Stock Rail and Switch Blade Gauge	136
ROMEAS 83.37 RCS Track Gauge and Superelevation Measuring Device	137
ROMEAS 83.50 RCAD Digital Switch Gauge & Superelevation Measuring Device	137
ROMEAS 83.87 PLAT Platform Clearance Gauge	138
ROMEAS 85.01 SKM Rail Head Wear Measuring Instrument	138
ROMEAS 85.02 MP Measuring Gauge	139
ROMEAS 85.05 Rail Measuring Roller	139
ROMEAS 85.07 SA75 Track Spacing Instrument	140
ROMEAS 85.20 Rail Thermometer	140
ROMEAS 83.40 MESSREG PTP II Hand-Guided Switch Inspection System	141
ROMEAS 83.41 MESSREG CDM Mobile Track and Switch Inspection System	141
ROMEAS 84.15 MESSREG CTS Mobile Track Measuring System	142
ROMEAS 85.11 RMF 1100 Mobile Corrugation Measuring System	142
ROMEAS 85.12 RM 1200D Hand-Guided Corrugation Measuring System	143
ROMEAS 85.15 RM 150HR Hand-Guided Measuring System for Determining the Quality of the Rail Running Surface	143
ROMEAS 85.08 Laser-based transverse profile measuring system	144
ROMEAS 85.16 RSCM Rail Flaw Testing System	144

EQUIPMENT/TOOLS

ROTOOL 68.03 Rail Tilting Device	146
ROTOOL 69.01 Drift Punch	146
ROTOOL 69.02 Crow Bar	146
ROTOOL 69.03 Hammer	146
ROTOOL 69.04 Track Ram	147
ROTOOL 69.05 Tamping Pick	147
ROTOOL 69.06 Sleeper Hammer	147
ROTOOL 69.07 Ballast Fork	147
ROTOOL 69.08 Points Lever	147
ROTOOL 69.09 Steel Sheet Shovel	148
ROTOOL 69.10 Switch Broom	148
ROTOOL 69.11 Adze	148
ROTOOL 69.12 Cold Chisel	148
ROHORN 69.13 Single-Tone Signal Horn	148
ROSIGN 69.14 SH 2 Stop Disc	149
ROHORN 69.15 Multi-Tone Signal Horn	149
ROTOOL 69.16 Clip Bolt Ejecting Device	149
ROTOOL 69.18 Extraction Socket	150
ROLIFT 69.20 Sleeper Lifting Device	150
Torque Wrench	150

SERVICE

	152
--	-----

ROBEL WORLDWIDE NETWORK

	154
--	-----



The digital future in track construction

ROBEL has the perfect machine for any application. And, with increasing digitisation, we also have the answers to the big issues of infrastructure maintenance: time pressures, shortage of qualified staff, data networking.

Digitised elements and assistance systems not only result in increased efficiency, reproducible work results and complete documentation but also relieve the operator significantly. For even more safety, quality and user-friendliness in track construction.

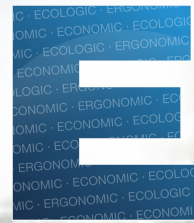
Overview of digitised functions in our machines



ROBEL can do much more:

Talk to us about your vision of digitisation in track construction: M&W@robel.com

BATTERY TECHNOLOGY



ROBEL E³

Powerful battery technology meets reliable mechanics.
Clean, quiet and powerful working.

Our contribution
to climate
protection and
health and safety

ECONOMIC

- Profitability
- Productivity
- Reliability
- Low Maintenance

ECOLOGIC

- Innovation
- Sustainability
- Energy Efficiency
- Carbon Neutrality

ERGONOMIC

- User Friendliness
- Safety
- Emission Reduction
- HAV-Reduction

ROBATTERY 71.01 (400 Wh)

ROBATTERY 71.01 (800 Wh)

43 V



RODRILL 10.20 E³
Battery Powered Rail Drilling Machine



ROBORE 11.20 E³
Battery Powered Sleeper Drilling Machine



ROSAW 12.20MSB E³
Battery Powered Rail Band Saw



ROMPACT 30.20 E³
Battery Powered Impact Wrench



ROSPIKE 33.25 E³
Battery Powered Spike Driver



ROTAMP 62.20L E³
Battery Powered Vertical Tamper



ROPOWER 76.20 E³
High Pressure Power Pack

THE ADVANTAGES. YOUR BENEFITS.

Especially powerful

- Powerful batteries especially designed for railway construction
- Highly temperature-resistant
- Robust aluminium housing

Handy. Convenient. Ergonomic.

- Machine ready for use at the push of a button
- Batteries with flexibly selectable power classes
- Battery packs, charger and machines can be combined
- Well legible battery level indicator

Quiet. Emission-free. Clean.

- Low noise
- No exhaust gases, odour nuisance or soiling
- Suitable for tunnels and urban areas

Maintenance-free. Cost-effective. Sustainable.

- Long-life battery cells
- Maintenance-free batteries
- Possibility to read out data (number of charge cycles and battery state of health)
- ROBEL takes back and recycles the batteries

SPECIFICATION	ROBATTERY 71.01	ROBATTERY 71.01	ROBATTERY 71.02
Energy content	400 Wh	800 Wh	2300 Wh
Capacity	9 Ah	18 Ah	46 Ah
Rated voltage	43 V	43 V	50 V
Charging time	2 - 3 h	3 - 4 h	6 - 8 h
Dimensions	325 x 140 x 120 mm	325 x 140 x 150 mm	460 X 370 X 105 mm
Total weight	3.9 kg	6.3 kg	17.5 kg

Environmental conditions:

Service temperature: -20 to +60 °C, Storage temperature: 0 to +23 °C



SPECIFICATION	ROCHARGER 71.11	ROCHARGER 71.12
Battery charger	400 / 800 Wh	2300 Wh
Output	300 W	360 W
Charge termination voltage	50.4 V	58.8 V
Input voltage	100 - 240 V	100 - 240 V
Dimensions	340 x 200 x 140 mm	220 x 90 x 50 mm
Weight	3.5 kg	2.2 kg



Environmental protection as a key element of sustainable business practice has a high priority for ROBEL Bahnbaumaschinen GmbH and is actively pursued. Therefore, our company introduced a certified environmental management system in accordance with ISO 14001 in 2018. This system is continuously being developed in order to fulfil our ecological responsibility.

Environmental protection also includes the proper return of batteries. This means that they can be disposed of by the customer on site in an environmentally compatible manner. In cooperation with our partners, we also will take back your ROBEL-batteries throughout Europe to ensure collecting, sorting, recycling and environmentally compatible disposal of all ROBEL-batteries.

ROBEL Battery Performance Classes & CO₂ Saving

TYPE	DESIGNATION	BATTERY PERFORMANCE CLASS			CO ₂ -SAVING (Compared with a conventional combustion engine)
		400 Wh	800 Wh	2300 Wh	
10.20 E ³	Battery Powered Rail Drilling Machine Number of Drilling operation Ø 32 mm per charge	✓ 35	✓ 70	✓* 200	0.85 kg/OpHr
11.20 E ³	Battery Powered Sleeper Drilling Machine Number of drilling operation ø 18mm per charge	✓ 100	✓ 200	✓* 600	1.32 kg/OpHr
12.20MSB E ³	Battery Powered Rail Band Saw Number of cuts per charge	✓ 12	✓ 22	✗ -	0.85 kg/OpHr
13.45MD E ³	Welding Joint Grinding Machine Grinding time per charge in minutes	✗ -	✗ -	✓ 60	3.93 kg/OpHr
13.49 E ³	Hybrid Rail Head Profile Grinding Machine Grinding time per charge in minutes	✗ -	✗ -	✓ 60	4.5 kg/OpHr
13.63	Modular Rail and Switch Grinding Machine Grinding time per charge in minutes	✗ -	✗ -	✓ 60	3.26 kg/OpHr
13.90 E ³	Electrical Rail Cutter Number of cuts per charge	✗ -	✗ -	✓ 20	4.21 kg/OpHr
30.20 E ³	Battery Powered Impact Wrenche Number of wrenching cycles per charge	✓ 300	✓ 550	✓* 1600	2.42 kg/OpHr
30.76 E ³	Electric Precision Power Wrench Number of wrenching cycles per charge	✗ -	✗ -	✓ 5000	3.26 kg/OpHr
30.82HKS E ³	Battery Powered Universal Power Wrench Number of wrenching cycles per charge	✗ -	✗ -	✓ 1000	3.26 kg/OpHr
33.25 E ³	Battery Powered Spike Driver Number of spikes driven per battery charge	✓ 400	✓ 750	✗ -	1.32 kg/OpHr
34.01 E ³	Battery Powered Clipping machine Clipping time per charge in minutes	✗ -	✗ -	✗ 90	3.26 kg/OpHr
34.02	Modular Clipping Machine Clipping time per charge in minutes	✗ -	✗ -	✗ 90	4.5 kg/OpHr
43.25	Hydraulic Rail Lifting Device Number of operating cycles per battery charge	✗ -	✗ -	✓ 150	3,26 kg/OpHr
62.20L E ³	Battery Powered Vertical Tamper Tamping time per charge in minutes	✓ 25	✓ 45	✓* 120	1.32 kg/OpHr
72.01 E ³	Battery Conversion Kit Number of wrenching cycles per charge 30.82HKS	✗ -	✗ -	✓ 1000	3.26 kg/OpHr
76.20 E ³	High-Pressure Power Pack Battery Number of stressing operations per charge 24.70 Number of trimming operations per charge 14.10	✓ 7 15-20	✓ 14 28-32	✓* 40 85	2.34 kg/OpHr

All performance data depends on material, rail profile, rail hardness, operator etc.

* in combination with adapter



RODRILL 10.20 – 7819900011
ROBATTERY 71.01 (400 Wh) – 7826800002

Easy, efficient and emission-free rail drilling.

THE ADVANTAGES. YOUR BENEFITS.

Short drilling times, reliable result

- Drilling time of approx. 12 – 60 seconds, depending on rail type
- Low wear of drill bits thanks to LED display of motor load

Easy. Flexible. Ergonomic.

- Light and compact machine
- Ergonomic thanks to low hand-arm vibration
- Rail profile templates can be changed without the use of any tools
- Standard or optional clamping device for use on different rails
- LED for illuminating work area
- Universal drill adapter (Quick Lock and Weldon shank)

- Safety due to immediate stop of drill spindle when operating button is released
- Optional with quick-clamping device – assembly / disassembly in under three seconds. Ideal for use in short possessions or for drilling for signalling equipment.

Coolant

- Economical consumption thanks to springloaded valve
- Biologically degradable
- Reservoir with pressure pump

Optional: Machine also available with two-hand operation

SPECIFICATION

Drive	BLDC electric motor
Output	1.6 kW
Max. drilling diameter	40 mm
Number of drilling operations	
Battery 400 Wh	35 drilling operations at 32 mm diameter (*)
Battery 800 Wh	70 drilling operations at 32 mm diameter (*)
Weights	
Rail drilling machine with battery	from 16.3 kg
Battery 400 Wh	3.9 kg
Battery 800 Wh	6.3 kg
Dimensions (L x W x H)	580 x 230 x 370 mm

(*) Depending on rail profile, rail hardness, drill bit etc.

ACCESSORIES

7826800002	Battery 400 Wh
7806800004	Battery 800 Wh
7806850001	Charger for battery 400/800 Wh
9000208016	Battery box for battery 800 Wh

DRILLING IN FLAT BOTTOM RAILS

Two rail profile templates each per rail section are required

8204050100 for 49E1/54E3/60E1

8204050210 for 54E1/54E2

Other variants on request. Please provide details of rail profile and drilling height.

7814103002 Quick-clamping device – assembly/disassembly in under 3 seconds.

DRILLING IN GROOVED RAILS

Two rail profile templates each per rail section and a special clamping device are required.

9801040089 Clamping device for grooved rails up to RI60

9801040068 2 additional pressure discs (depending on grooved rail)

8204050150 RI60/DH 75 mm/outside

Other variants on request. Please provide details of rail profile and drilling height.

Core hole drill bits are used in combination with the cooling pin. With 19 mm Weldon shank, cutting depth 25 mm. Optimal drilling performance for rail web tensile strength up to 900 N/mm².

From Ø 16 mm – Ø 40 mm

9002501657 19 mm

9002501642 30 mm

9002501643 32 mm

9002501654 33 mm

Other diameters available on request.

Core hole drill bits (Quick Lock)

9002508236 Ø 19 mm

9002508234 Ø 30 mm

9002508235 Ø 32 mm

9002508233 Ø 33 mm

9002501646 Short cooling pin for core hole drill bit (use for flat bottom rail)

9002501655 Long cooling pin + 8203550100 Adapter (depending on profile of grooved rail or conductor rail)

Twist drill bits

From Ø 7 mm – Ø 15 mm

9820350220 Ø 13 mm

Adapter for twist drill bit Ø 7 mm – Ø 15 mm

9820350130 Ø 13– 15 mm

Other diameters available on request.

9001511073	Coolant, biologically degradable (5-litre canister)
9001511033	Antifreeze concentrate, 5 litres,
9781890120	Transport and storage box made of aluminium with lockable lid and carrying handles.
9801040005	Aluminium coolant and swarf collecting tray

Multi-hole drilling templates

Precise drilling intervals are achieved by simply inserting the drilling machine into the distance blocks. Distance blocks can be adjusted individually to dimension requested by customer.

The template is applied from the rail end:

8204062001 2-hole

8204062002 3-hole

The template is applied at the continuous rail:

8204062003 4-hole

8204062004 6-hole

If requested, the distance blocks can be adjusted by ROBEL. Please provide details on rail profile and drilling height, as well as the drilling intervals.



Rail profile templates



Quick-clamping device



Clamping device for grooved rails



Drill bit, adapter and coolant ejector pin



Adapter and twist drill bit



Transport box
Antifreeze concentrate
Coolant, collecting tray



3-hole drilling template



6-hole drilling template

DRILLING SLEEPERS QUICKLY AND EASILY.



ROBORE 11.20 E³ (Ausf. 2) - 7859900004
 ROBATTERY 71.01 (400 Wh) - 7826800002

Portable sleeper drilling machine for drilling wooden and synthetic sleepers.

THE ADVANTAGES: YOUR BENEFITS.

Easy operation

- Light and compact sleeper drilling machine
- Universally adjustable for right- and left-handed people (Version 01)
- Depth stop can be adjusted on scale quickly and without the use of any tools
- Drill bit can be changed swiftly and without the use of any tools
- Flexible application in urban areas and in tunnels

Emission-free and safe

- No exhaust emissions
- Drill protection sleeve for drilling and transport

Available in different versions

- Clockwise/counter-clockwise rotation (Version 02)
- Very low Hand-arm vibrations (Version 02)
- Low noise emissions (Version 02)

NOTE:

The sleeper drilling machine can be operated with MilwaukeeM18 FUEL ONE KEY 1" battery powered impact wrench with snap ring (not included in scope of delivery).

SPECIFICATION	Version 01	Version 02	Version 02 Flex
Drive	Milwaukee M18 FUEL ONE KEY 1	BLDC electric motor	BLDC electric motor
Adjustable drilling depth	up to 200 mm	up to 200 mm	up to 200 mm
Drilling diameter	13 - 25 mm	13 - 25 mm	13 - 25 mm
Drilling duration (wooden sleeper)	approx. 3 seconds	approx. 3 seconds	approx. 3 seconds
Drill bit change	approx. 30 seconds	approx. 30 seconds	approx. 30 seconds
Dimensions (L x W x H)	100 x 315 x 800 mm (without impact wrench)	230 x 540 x 1030 mm (without battery)	230 x 540 x 1015-1105 mm (without battery)
Weight			
Machine	10.9 kg (incl. Impact wrench)	14.0 kg (incl. 400 Wh battery)	15.3 kg (incl. 400 Wh battery)
Battery 400 Wh		3.9 kg	3.9 kg
Height adjustment	No	No	Yes

ACCESSORIES

Sleeper drill bits

Automatic feed by screw point, made of tool steel, single-blade without taper tap, total length 457 mm with hexagonal adapter

9002508251	Sleeper drill bit ø 15 mm, for wooden sleepers
9002508252	Sleeper drill bit ø 16 mm, for wooden sleepers
9002508260	Sleeper drill bit ø 17 mm, for wooden sleepers
9002508250	Sleeper drill bit ø 18 mm, for wooden sleepers
9002508254	Sleeper drill bit ø 20 mm, for wooden sleepers
9002508253	Sleeper drill bit ø 21 mm, for wooden sleepers

Centering tips

7858930110	Centre tip for 11-18 mm drill bit / 26 mm ribbed base plate
7858930140	Centre tip for 19-20 mm drill bit / 26 mm ribbed base plate
7858930150	Centre tip for 21-22 mm drill bit / 26 mm ribbed base plate

Other drilling diameters and centring tips available on request.

Additional accessories

7858930130V	Circular level for ensuring vertical hole
9899890100	Shoulder strap

Accessories for Version 01

9002100434	Socket wrench 1" on AF 22 mm
------------	------------------------------

Accessories for Version 02

7826800002	Battery 400 Wh
7806800004	Battery 800 Wh
7806850001	Charger for batteries 400/800 Wh
9000208016	Battery box for battery 800 Wh

ROSAW 12.20MSB E³ Battery Powered Rail Band Saw

With patented 4-roller technology.

THE ADVANTAGES. YOUR BENEFITS.

Safe and ergonomic

- The saw blade is protected inside the frame and works without sparking
- Low noise, without exhaust emissions and grinding dust
- Minimum hand-arm vibrations
- No holding and guiding during cutting required
- LED for illuminating work area

Very high quality of cut

- Constant cuts, verifiable on cutter display
- Precise cold cutting without heating the rail
- Stress cracks are avoided

Economic and efficient

- Long life of machine
- Long service life of saw blade
- Speedy replacement of saw blade without tools
- No reworking required

Ideal in combination with ROSTRESS 24.70 rail stressor.

Recommended application: For neutral rail temperature or tensile stress in the rail. Ideally suited for night work (low noise emission) and low temperature in the rail.



SPECIFICATION

Drive	Manual feed
Output	BLDC electric motor
Feed	1.6 kW
Cutting time	manual
Number of cuts per battery charge	approx. 2 min (*)
Battery 400 Wh	approx. 12 (*)
Battery 800 Wh	approx. 22 (*)
Saw blade service life	
Unhardened rails	15 - 20 cuts (*)
Hardened rails or tough steel	up to 8 cuts (*)
Weight	
Rail band saw	45 kg
Tensioning block	19 kg
Battery 400 Wh	3.9 kg
Battery 800 Wh	6.3 kg
Dimensions (L x W x H)	951 x 595 x 685 mm

(*) depending on rail profile, rail quality etc.

ACCESSORIES

- 7826800002 Battery 400 Wh
- 7806800004 Battery 800 Wh
- 7806850001 Charger for batteries in 400/800 Wh
- 9000208016 Battery box for battery 800 Wh
- 9801272008 Band saw blade
- 9001511073 Coolant (5 litre canister)
- 9801040005 Coolant collecting tray
- 5098960001 Transport box

Rail profile templates (2 required)

- 8204050100 for 49E1/54E3/60E1
- 8204050210 for 54E1/54E2

Other rail profile templates on request.



ROGRIND 13.45MD E³ Welding Joint Grinding Machine

**PRECISE GRINDING
COMPLETE
REPROFILING.**



ROGRIND 13.45MD - 5159905901
ROBATTERY 71.02 - 7839900001

**For grinding welding joints and for reprofiling the complete rail head.
Can also be used in switches and for grinding grooved rails and crane rails.**

THE ADVANTAGES. YOUR BENEFITS.
Simple and practical.

- Choice between battery power or power pack
- Interchangeable guiding system for various applications
- Easy changing of cup wheel thanks to Quick Lock
- Non-projecting carrying handles allow for easy transport and easy storage
- LED lighting
- Ideal for use in tunnels and urban areas

Light-weight machine. Powerful grinding.

- The most powerful electric motor in its weight class for fast grinding
- No set-up time
- Rotational resistance can be adjusted at spindle hand wheel as required, without the use of any tools
- Grinding throughput: at least 60 minutes of continuous grinding (depending on rail profile, trimmer, grinding wheel etc.)

SPECIFICATION

Drive	BLDC electric motor
Output	6.6 kW
Weights	
Machine	from 40 kg
Battery 2300 Wh	17.5 kg
Power supply	18 kg
Copy roller spacing	850 mm
Dimensions (L x W x H)	1036 x 500 x 900 mm

INDIVIDUAL CONFIGURATION OPTIONS

1. Guiding systems

Rail guiding system
 Universal guiding system
 Grooved rail guiding system
 Crane rail machining set (up to rail head width 120 mm)
 Guiding system for small flat bottom rails

2. Guiding handle

Guiding handle left
 Guiding handle right

3. Carrying handles

Inside carrying handle
 Outside carrying handle
 Bow-type handle

4. Hand wheel

Hand wheel Ø 100 mm
 Hand wheel Ø 160 mm

5. Grinding spindle

Standard grinding spindle
 Raised grinding spindle

6. Foldable spark protection

ACCESSORIES

Multi-Drive-Technologie

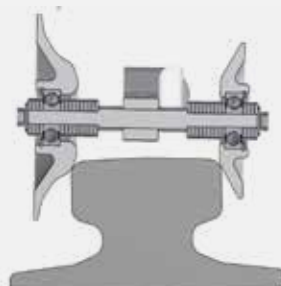
7839900001 Battery 2300 Wh
 7879900001 Charger for battery 2300 Wh
 5039900003 Power supply 400 Volt
 9000208017 Battery box for battery 2300 Wh

Accessories grinding machine

5158930001 Multiroller carrier (2 required)
 5158931002 Extension arm for frog noses
 5158930014 Crane lifting eye

Cup wheels

9878081000 Ø 90 mm conical for frog noses and switches,
 central nut holder M20 (also suitable for the running
 surface of grooved rails)
 9002000330 Ø 90 mm cylindrical for built-up welds,
 central nut holder M20
 9002000687 Ø 125 mm central nut holder M20
 9002000688 Ø 125 mm screw fastening 4xM8, pitch circle Ø 90 mm
 Other cup wheels on request.
 9000200182 Steel wire brush
 e.g. for removing rust from rails
 (not to be used without centring nut)
 8931002007 Centring nut, fixings for steel wire brush



5150850003

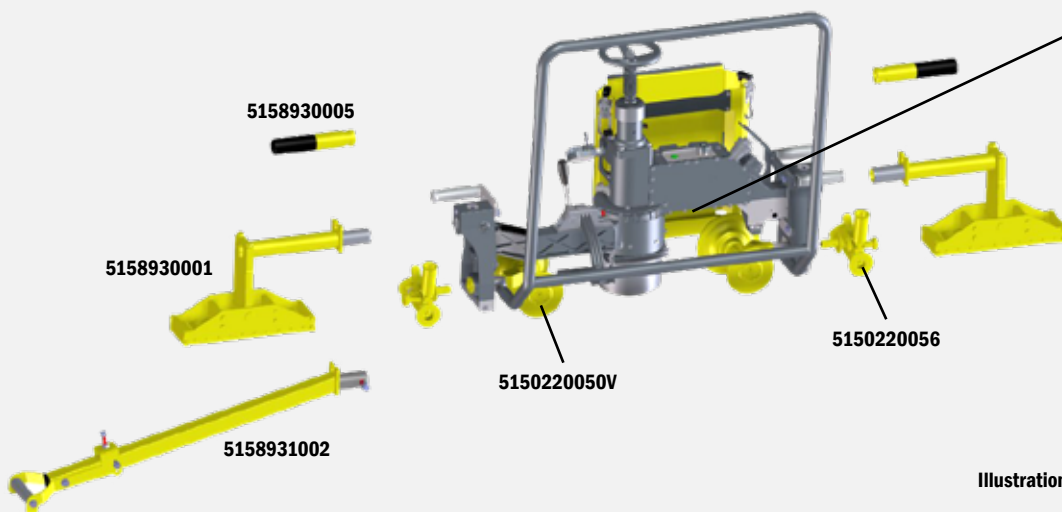


Illustration 13.45MD - Right-hand design

**Do you require a different design?
 Please get in touch with your ROBEL contact.**

**ONE MACHINE.
THREE MODULES.**
Simple ergonomic grinding.



ROGRIND 13.49 E³ - 8499900003
ROPOWER 70.02 - 5029900002
Outrigger - 8490800002

**One machine. Three modules.
Precisely ground face in a short time with intelligent use of energy.**

THE ADVANTAGES. YOUR BENEFITS.

Precisely ground face in a short time

- Faster working due to constantly high grinding power
- High grinding quality and clear view of the grinding area due to compact, low-vibration electric motor
- Patented ROBEL finish-grinding procedure for localised away from the operator reworking

Intelligent use of energy

- Loss-free power transmission from electric motor straight to grinding spindle
- ROBEL supercap in power pack: Excess energy stored during idling of grindstone – released during load peaks
- Other drive versions (battery, power supply) available

Smart positioning, smooth grinding

- Easily transport grinding unit and power pack separately
- Effortless operation due to split machine weight of less than 60 kg each
- Comfortable handling of machine due to ergonomic telescopic handles which are individually adjustable

Greater work safety, higher efficiency

- Low hand-arm vibration
- Optimum view of the display at an ergonomic angle of the compact, low-vibration electric motor
- Integrated dust and spark protection due to air exhausted
- Work at a safe distance from exhaust gases, heat and engine noise

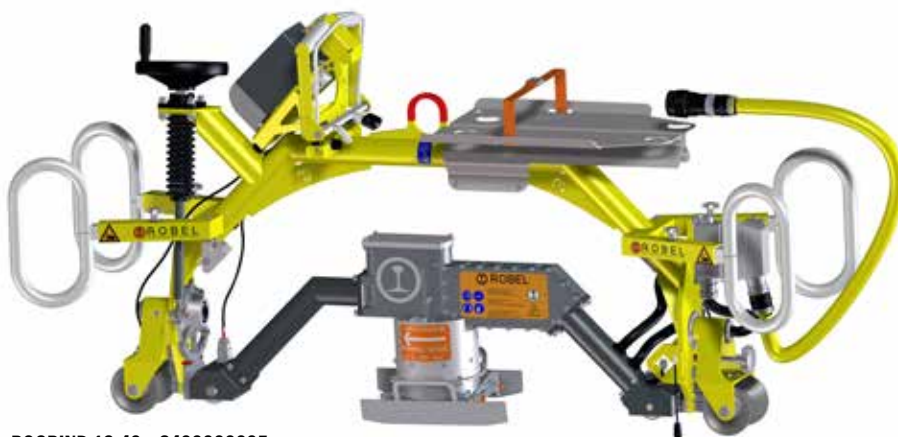
SPECIFICATION

Drive	BLDC electric motor
Continuous rating	6.6 kW (ROPOWER 70.03 + ROBATTERY 71.02) 3.0 kW (ROPOWER 70.02)
Maximum power	7.0 kW (ROPOWER 70.02)
Circumferential speed	50 m/s
Cup wheel diameter	150 mm
Speed	5000 rpm
Roller spacing	1000 mm
Depth feed of grinding spindle	electric
Dimensions (L x W x H)	1950 x 460 x 850 mm
Without telescopic handles (L x W x H)	1750 x 410 x 850 mm
Weight machine	from 56.5 kg
Weight outrigger	from 8.5 kg

ACCESSORIES

5029900002	Hybrid drive unit with Honda GX200 four-stroke engine	9002000690	Ø 150 mm central nut holder M20
5026930001	Discharging box for discharging the supercaps for maintenance work		Other cup wheels on request.
5039900003	Power supply 400 Volt (incl. shoulder strap)		
7839900001	Battery 2300 Wh		
7879900001	Charger 2300 Wh		
5016060200	Extension cable (for battery 2300 Wh)		
9000208017	Battery box for battery 2300 Wh		
8490800002	Outrigger, gauge 1435 mm		

Other gauges on request.



ROGRIND 13.49 - 8499900005
Outrigger - 8490800002



Battery 2300 Wh - 7839900001



400 Volt power supply - 5039900003



ROPOWER 70.02 - 5029900002

ROCUT 13.90 E³ Electrical Rail Cutter



For fast and efficient cutting of maximum strength rails.

THE ADVANTAGES. YOUR BENEFITS.

High flexibility

- Light-weight and sturdy rail cutter due to light-weight aluminium construction
- Rails can be cut from both sides with sparks controlled downwards without changeover
- Multi Drive technology: one machine, various drive options
- Extended operational range in tunnels and urban areas
- Can also be used for flat bottom, grooved and crane rails (claw can be adjusted up to 120 mm rail head width)
- Socket wrench mounted on machine

Ergonomic and safe

- Continuously adjustable spark protection
- Articulated arm supports machine weight and relieves the operator
- Low hand-arm vibrations
- LED lighting
- Electronic safety shut-down

Accurate and powerful

- Kerf indicator for accurate determination of cutting point
- Cutting rate approx. 20 cuts on 60E1 rail/battery charge (depending on cutting disc and operator etc.)
- Integrated LED performance display for cut monitoring
- Brushless electric motor

SPECIFICATION	Ø 350 mm cutting disc	Ø 400 mm cutting disc
Drive	BLDC electric motor	BLDC electric motor
Output	6.6 kW	6.6 kW
Cutting disc diameter	350 mm/14"	400 mm/16"
Cutting disc holder	22.2 mm	22.2 mm
Cutting rate (*)	approx. 1 min/cut for 60E1 rail	approx. 1 min/cut for 60E1 rail
49E1	up to 8 cuts/cutting disc	up to 10 cuts/cutting disc
60E1	up to 6 cuts/cutting disc	up to 8 cuts/cutting disc
Weight		
Rail Cutter	18.1 kg	18.9 kg
Articulated aluminium arm	9.3 kg	9.3 kg
Cutting disc	0.9 kg	1.1 kg
Total machine weight	28.3 kg	29.3 kg
Connecting cable	5.7 kg	5.7 kg
Battery 2300 Wh	17.5 kg	17.5 kg
400 Volt power supply	18.0 kg	18.0 kg
Dimensions (L x W x H)	765 x 330 x 490 mm	815 x 330 x 540 mm

(*) depending on rail profile, cutting disc and operator etc.

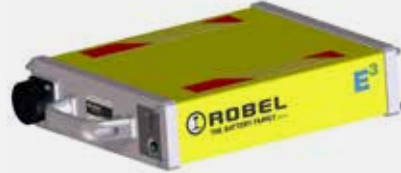
ACCESSORIES

- 5016060210 Connecting cable – 4 m
- 7839900001 Battery 2300 Wh
- 7879900001 Battery charger 2300 Wh
- 5039900003 Power supply, 400 Volt – 60 Volt (incl. shoulder strap)
- 9000208017 Battery box for battery 2300 Wh
- 8001381004 Safety blocking device ROBEL 13.81 for cutting rails under compressive stress incl. 1 pair of wedges
- 5908983001 LED lighting protection
- 5908960120 Transport box

Cutting discs – ideally suited to ROCUT 13.90 E³

- 9002008820 350 x 4 x 22.2 mm
 - 9002008825 350 x 4 x 25.4 mm
 - 9002008830 400 x 4 x 25,4 mm
- Other cutting discs on request.

- 5908983002 Adapter 22.2 to 25.4 mm incl. circlip



Battery 2300 Wh – 7839900001



ROCUT 13.90 – 5909900008



400 Volt power supply – 5039900003



Connecting cable – 5016060210

ROMPACT 30.20 E³ Battery Powered Impact Wrench

VARIABLE WRENCHING WITH MINIMUM HAND ARM VIBRATION.



ROMPACT 30.20 – 7809900006
ROBATTERY 71.01 400 Wh – 7826800002
Socket

For tightening and loosening nuts, sleeper, switch and fishplate bolts.

THE ADVANTAGES. YOUR BENEFITS.

Compact. Powerful. Robust.

- Adjustable angle design for working in tight spaces e.g. for wrenching fishplates and switches
- Perfect for tightening and loosening switch and fishplate bolts

Ergonomic use

- Easy, ergonomic operation in any work position
- No transfer of the wrenching torque to the operator
- Hand-arm vibration < 5 m/s² allows for effortless wrenching
- LED lighting

Flexible application

- 1-inch square drive to accept the corresponding sockets
- Adjustable output 50/75/100 % for maximum flexibility
- Clockwise/counter-clockwise rotation

SPECIFICATION

Version 3.0

Drive	BLDC electric motor
Output	2.0 kW
Tightening/loosening torque	max. 1800 Nm
Angle adjustable	yes
Vibration damping	yes
Number of wrenching cycles	
Battery 400 Wh	300 (4 seconds each)
Battery 800 Wh	550 (4 seconds each)
Battery 2300 Wh	1600 (4 seconds each)
Weight	
Impact Wrench (incl. 400 Wh battery)	from 19.0 kg
Battery 400 Wh	3.9 kg
Battery 800 Wh	6.3 kg
Battery 2300 Wh	17.5 kg
Adapter for battery 2300 Wh	6.6 kg (incl. connecting cable)
Socket	1.5 kg
Dimensions (L x W x H)	850 x 560 x 220 mm

ACCESSORIES

7826800002 Battery 400 Wh
 7806800004 Battery 800 Wh
 7806850001 Charger for batteries 400/800 Wh
 9000208016 Battery box for battery 800 Wh

7839900001 Battery 2300 Wh
 7879900001 Charger for battery 2300 Wh
 7838930001 Adapter for using battery 2300 Wh



ROMPACT 30.20 – 7809900006

Sockets

Hexagonal

9871033313 AF 30
 9871033309 AF 32
 9002501223 AF 34
 9871033314 AF 35
 9871033311 AF 36
 9871033315 AF 38
 8098950100 AF 39 Special 230 mm
 9871033391 AF 39
 9871033304 AF 41
 9871033308 AF 42
 9002501224 AF 46



Hexagonal socket

Rectangular

9871033317 rect. 18 x 26
 9871033302 rect. 21 x 28
 9871033305 rect. 30 x 22



Rectangular socket

Square

9871033303 SQ 19x19/17x17
 9871033318 SQ 21 x 21
 9871033306 SQ 22 x 22
 9871033319 SQ 24 x 24



Square socket

Special sockets

8003062130 Combined socket
 AF 41 & rect. 21 x 28

Other sockets available on request.



Combined socket

Drill adapter/sleeper drill bit

Drill adapter

8099910001 SDS Plus chuck adapter

Sleeper drill bits

Max. drilling depth 150 mm with SDS Plus chuck adapter

9002501808 Ø 14 mm
 9002501809 Ø 16 mm
 9002501810 Ø 18 mm
 9002501811 Ø 20 mm
 9002501812 Ø 22 mm

Other drill bits available on request.

Miscellaneous

8003009006 Extension 180 mm/1" adapter
 8003009005 Extension 330 mm/1" adapter
 9909992145 O-ring, circlip to secure socket
 9900070056 Cylindrical pin Ø 5 mm to secure socket

Adaper for tools for sleeper renovation (see ROWRENCH 30.83):

8338930003 Adapter square 24 mm to 1 inch
 8338930004 Adapter 1inch to square 24 mm

PRECISION WRENCHING OF THE LATEST GENERATION.



ROWRENCH 30.76 E³ – 7919900201
Transverse bogie - 7730750001
Extension - 5018950005

For fully electric tightening or loosening of all screw connections with very large operating range.

THE ADVANTAGES. YOUR BENEFITS.

Ergonomic & sustainable

- Lightweight
- Ideally balanced machine due to telescopic frame
- Battery drive: high efficiency even for longer track sections
- Up to 5000* wrenching cycles per battery charge
- Folding and height-adjustable guide handles
- No exhaust fumes, unpleasant odours or pollution, suitable for tunnels and urban areas
- Low noise emissions and reduced hand-arm vibrations
- Machine is ready at the press of a button
- LED lighting

Intelligent wrenching machine

- Self-learning and intuitive control with target/actual comparison
- Constantly high wrenching precision
- Recognises defective screws and damaged threads, reacts to conditions and regulates further wrenching processes
- Selection of track type at the push of a button
- Machine adjusts to track quality automatically

Time saved, quality increased

- Machine immediately ready to use due to measurement
- The torque is measured electronically at the screw spindle
- Very low torque adjustable: from 100 Nm

Minimised labour costs, wrenching made easy

- High tightening/loosening torque for rusty rail fastenings and for dismantling screws
- Fast wrenching
- Operation as ROWRENCH 30.73PSM – no need to get used to the machine

Work result fully documented

- Recording of each wrenching process
- Captures wrenching frequency, kilometre marking and wrenching mode
- Output of results (Excel log) and of GPS coordinates (transferable to online map services) via USB
- Verifiable performance protects against future claims

Economic and efficient

- Aluminium covers
- High availability of the machine
- Minimal maintenance effort, no wear parts (spark plugs, oil, etc.)
- Customer-friendly, annual calibration; independent performance possible

SPECIFICATION

Drive	BLDC electric motor
Output	7.5 kW
Spindle speed	max. 200 U/min
Loosening torque	max. 900 Nm
Tightening torque	100-500 Nm
Number of wrenching cycles / battery charge	up to 5000*
Dimensions (L x W x H)	
Transport position (dimensions correspond to Euro pallet size)	1200 x 510 x 720 mm
Working position (extendable)	2000-2200 x 660 x 720 mm
Weight	
Machine	from 80 kg
Battery 2300 Wh	17.5 kg
Travelling gear	Transverse bogies available for all gauges Monorail trolleys with outrigger available for all gauges

(*) Depending on type of track, condition of track, torque required etc.

OPTIONS

1. Travelling gear

- 5010820006 Monorail trolley
- 8911164032 Outrigger, gauge 1435 mm
- 7730750001 Transverse bogie, gauge 1435 mm
(60 mm height above top of rail, plastic rollers)

Other gauges on request.

2. Extensions

for monorail trolley:

- 5018950001 straight extension for split sockets
- 5018950005 crowned extension for one-piece, rigid sockets

for transverse bogie:

- 5018950007 straight extension for split sockets
- 5018950010 crowned extension for one-piece rigid sockets

for transverse bogie (raised):

- 5018950008 straight extension for split sockets
- 5018950011 crowned extension for one-piece rigid sockets

3. Sockets

One-piece rigid design:

- 8003082038 Hex AF 38
- 8003082036 Hex AF 39
- 8003082071 Hex AF 41
- 9871033070 Rectangular 28 x 21
- 9871032123 Square 23 x 23
- 9871032427 Square 27 x 27
- 9871033072 Rectangular 24.5 x 20.5

Split articulated design:

- 8003062001 Hex AF 39
- 8003062017 Hex AF 41
- 8003062005 Rectangular 28 x 21

For other dimensions see separate overview.

ACCESSORIES

- 7839900001 Battery 2300Wh
- 7879900001 Charger for battery 2300 Wh
- 9000208017 Battery box for battery 2300 Wh

USB stick

- 9008000057 Spare USB stick

Torque wrench

- 9002501350 for annual calibration (set to 250 Nm)

Transport frame

- 7738960001 stackable, universal setting for ROBEL wrenching machines (30.73, 30.76 E³, 30.82RKS, 30.82HKS, 30.82 HKS E³, 30.83, 34.01)

Toolbox

- 8328980100 Toolbox for fitting on transverse bogie

Cover

- 9000100065 for weather protection

ROWRENCH**30.82HKS E³****Battery Powered Universal Power Wrench****WRENCHING WITH
PROVEN TECHNOLOGY.**

ROWRENCH 30.82HKS E³ - 8329900102
 Travelling gear - 5010820006
 Outrigger - 8003082012
 Extension - 5018950005

For tightening and loosening nuts and sleeper, hook and fishplate bolts.

THE ADVANTAGES. YOUR BENEFITS.

Reliable Wrenching, precise results

- Uniform repeat wrenching due to adjustable torque
- Checking of torque on pressure gauge display
- Selection between two gears depending on stiffness of screw
- Fast changeover to maximum torque without changing the torque setting
- Approx. 1000 wrenching cycles per charge of 2300 Wh battery (depending on type of track, condition of track, torque required etc.)

Robust construction, minimum maintenance costs

- Long service life due to ROBEL high-performance clutch
- Low wear due to permanent oil lubrication of clutch in oil bath

Pleasant working for the operator

- Low weight and compact design with folding guide handles
- Large field of view due to LED lighting of work area
- Height-adjustable guide handles
- Very fast availability (at the push of a button)
- No exhaust fumes
- Reduced noise emissions
- Reduced hand-arm vibrations

Flexible use

- Work possible without outrigger due to low centre of gravity
- Tensioning and loosening of all wrenched types of track
- Quick-change chuck for fast change of sockets

SPECIFICATION

Drive	BLDC electric motor
Output	4,0 kW at 3600 rpm
Spindle speed	
No-load speed, max.	200 rpm
Load speed	71 rpm
Adjustable tightening torque	from 140 to 300 Nm
Short loosening torque	up to 1000 Nm
Travelling gear	Transverse bogies available for all gauges Monorail trolleys with outrigger available for all gauges
Dimensions (L x W x H)	1920 x 600 x 600-800 mm
Transport position (L x W x H)	1510 x 600 x 575 mm
Weight machine	from 84 kg (without 2300 Wh battery)
Weight 2300 Wh battery	17.5 kg

For further information on configuration and accessories see 30.82HKS Universal Power Wrench.

ROSPIKE 33.25 E³ Battery Powered Spike Driver



For driving spikes into wooden sleepers.

THE ADVANTAGES. YOUR BENEFITS.

Powerful and robust.

- Quick spike driving (< 5 seconds)*
- No pre-drilling of holes necessary*
- Ergonomic and compact handle
- High safety due to battery on the machine, no cable or hose connection

- No set-up time
- LED lighting
- Vibration decoupling, low HAVs

* depending on the type of wood of sleeper etc.

SPECIFICATION

Drive	BLDC electric motor
Output	2.0 kW
Weight	
Spike driver without battery	from 28,6 kg
Battery 400 Wh	3.9 kg
Battery 800 Wh	6.3 kg
Dimensions (L x W x H)	980 x 530 x 310 mm

ACCESSORIES

7826800002	Battery 400 Wh
7806800004	Battery 800 Wh
7806850001	Charger for battery 400/800 Wh
9000208016	Battery box for battery 800 Wh

ROCLIP 34.01 E³ Battery Powered Clipping Machine

FAST AND PRECISE CLIPPING.



ROCLIP 34.01 E³ - 8259901501
 Transverse bogie - 8259900008
 ROBATTERY 71.02 - 7839900001

For emission-free inserting and extracting Fastclip clip fasteners in new construction and maintenance. With sleeper lifting unit.

THE ADVANTAGES. YOUR BENEFITS.

Wide range of applications

- Various versions for Fastclips of types FC, FE and FCx
- Removes even heavily corroded clips

High throughput

- Fast changeover without tools between insertion and extraction mode
- Excellent ergonomics due to optimised centre of gravity and height-adjustable handles
- Optimum view of work area due to LED lighting
- 90 min clipping time per battery charge (depending on material, operator etc.)

Easy operation

- Intuitive start of clipping using the push-button on the handle
- Short set-up time due to simple adjustments

Optimum results

- Protection of insulators due to precise adjustment of the clipping tool
- No follow-on costs from replacement of damaged insulators
- Easy and fast lifting of low-lying sleepers

SPECIFICATION

Drive	BLDC electric motor	BLDC electric motor
Output	4.6 kW	4.6 kW
Fastclip type	FC	FC/FCx/FE
Weight		
Machine with sleeper lifting unit	from 141 kg	from 151 kg
Battery 2300 Wh	17.5 kg	17.5 kg
Transverse bogie	from 46 kg	from 46 kg
Dimensions (L x W x H)	1950 x 620 x 1010 mm	1950 x 620 x 1010 mm

ACCESSORIES

- | | |
|------------|-----------------------------|
| 7839900001 | Battery 2300 Wh |
| 7879900001 | Charger for battery 2300 Wh |

For further information on configuration and accessories see 34.01 Clipping Machine.

TAMPING SLEEPERS QUICKLY AND EASILY.



ROTAMP 62.20 Light - 5989900005
ROBATTERY 71.01 800 Wh - 7806800004

For all tamping work on the track.

THE ADVANTAGES. YOUR BENEFITS.

Lasting stable track geometry

- Reduced tamping time due to optimum ballast compaction under the sleeper with the ROBEL vertical vibration tamping principle
- No damage to ballast or sleepers
- 62.20L E³ Short: Lower variant enables ergonomic working for shorter operators
- 62.20L E³ Slim: Reduced tamping tool diameter for heavily soiled ballast bed and for areas where space is restricted, e.g. in switches
- 62.20L E³ Flex: Variant with height adjustment

Ergonomic tamping process

- Minimum hand-arm vibration thanks to patented 2-level vibration decoupling
- Relieves the operator thanks to low machine weight, no exhaust emissions and low noise emissions
- Hand-arm vibration < 5 m/s² allows for effortless tamping
- Ideal on-board equipment for railbound tamping machines

SPECIFICATION	62.20L E ³	62.20L E ³ Short	62.20L E ³ Slim	62.20L E ³ Flex
Drive	BLDC electric motor	BLDC electric motor	BLDC electric motor	BLDC electric motor
Output	2.0 kW	2.0 kW	2.0 kW	2.0 kW
Tamping time per battery charge				
Battery 400 Wh	min. 25 minutes	min. 25 minutes	min. 25 minutes	min. 25 minutes
Battery 800 Wh	min. 45 minutes	min. 45 minutes	min. 45 minutes	min. 45 minutes
Battery 2300 Wh (with adapter)	min. 120 minutes	min. 120 minutes	min. 120 minutes	min. 120 minutes
Weight				
Vertical tamper with battery	from 22.5 kg	from 22.5 kg	from 22.3 kg	from 23.6 kg
Battery 400 Wh	3.9 kg	3.9 kg	3.9 kg	3.9 kg
Battery 800 Wh	6.3 kg	6.3 kg	6.3 kg	6.3 kg
Battery 2300 Wh	17.5 kg	17.5 kg	17.5 kg	17.5 kg
Adapter for battery 2300 Wh	6.6 kg at 4 m cable length	6.6 kg at 4 m cable length	6.6 kg at 4 m cable length	6.6 kg at 4 m cable length
Dimensions (L x W x H)	1080 x 500 x 410 mm	1000 x 500 x 420 mm	1080 x 500 x 410 mm	1110 x 510 x 410 mm
Diameter tamping tool	75 mm	75 mm	65 mm	75 mm
Height adjustment	no	no	no	yes

ACCESSORIES

7826800002	Battery 400 Wh
7806800004	Battery 800 Wh
7806850001	Charger for battery 400/800 Wh
9000208016	Battery box for battery 800 Wh
7839900001	Battery 2300 Wh
7879900001	Charger for battery 2300 Wh
7838930001	Adapter for battery 2300 Wh
9899890100	Shoulder strap
8999910002	Additional carrying handle
9806205010	Transport box
8868230001	Rail movement indicator

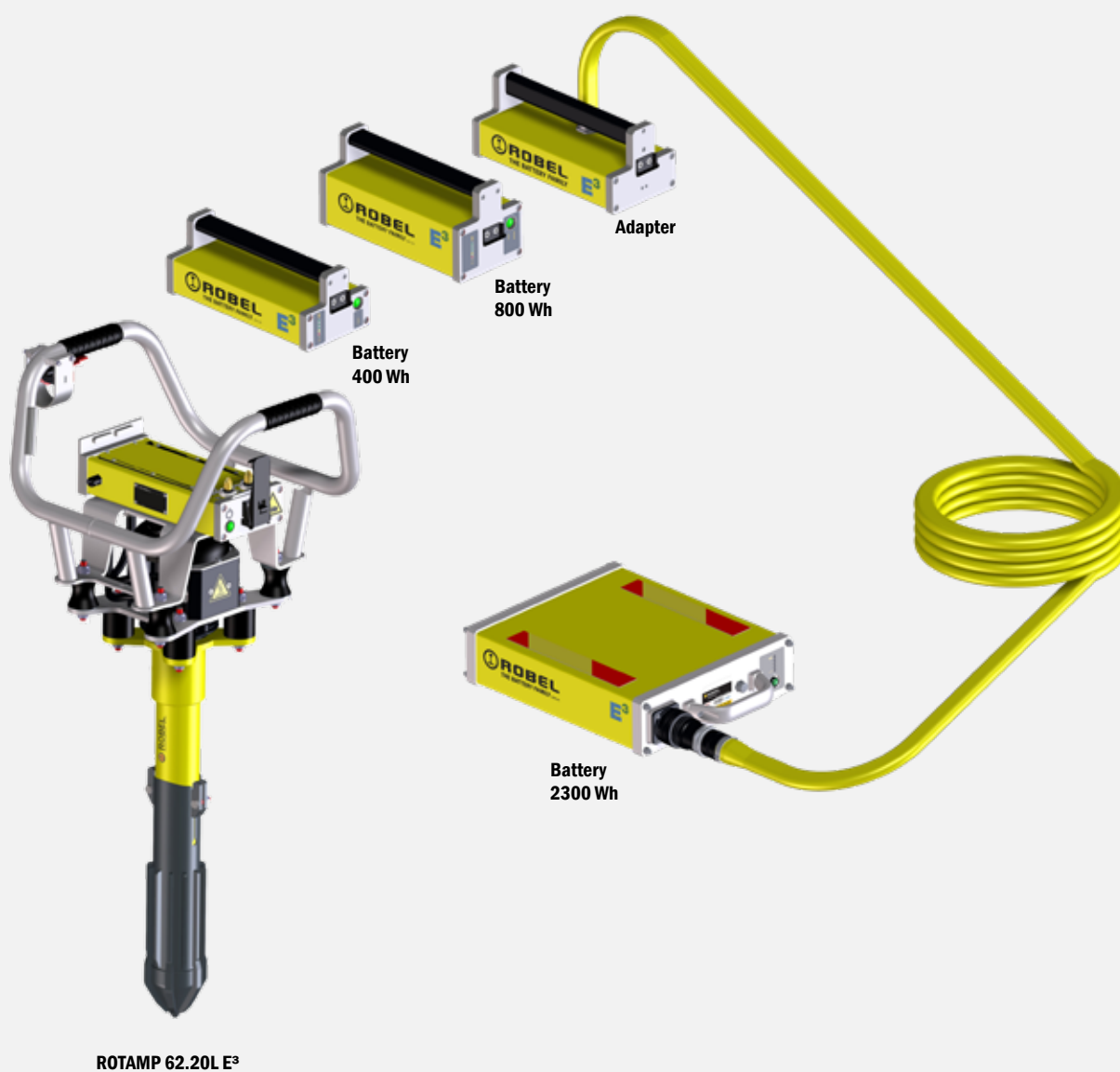
Tamping tools:

5993760001V	Tamping tool 62.20L E ³ /62.20L E ³ Short/62.20L E ³ Flex
5993760002	Tamping tool reinforced for even longer service life 62.20L E ³ /62.20L E ³ Short/62.20L E ³ Flex
5993760003V	Tamping tool 62.20L E ³ Slim
8998980120	Tamping tool wear gauge

Accessories for servicing work:

8998950200	Extractor device for tamping tool
8998950001	Removal device for eccentric shaft
8808950120	Holder for vertical tamper in a vice

For photos of accessories, see ROTAMP 62.05L.



EASY CONVERSION TO BLDC ELECTRIC MOTOR.



ROWRENCH 30.82HKS
 ROCONVERT 72.01 – 5819900001
 ROBATTERY 71.02 (2300 Wh) – 7839900001

The alternative to new investment.

THE ADVANTAGES. YOUR BENEFITS.

Extended operational range

- BLDC electric motor, in particular for tunnels and urban areas
- Maximum flexibility due to various types of drive (battery or power supply)

Benefits for environment and budget

- Cost savings from conversion instead of new purchase
- Increased availability due to reduced drive maintenance

Pleasant working for the operator

- Very fast availability (at the push of a button)
- Reduced noise emissions
- Reduced hand-arm vibrations

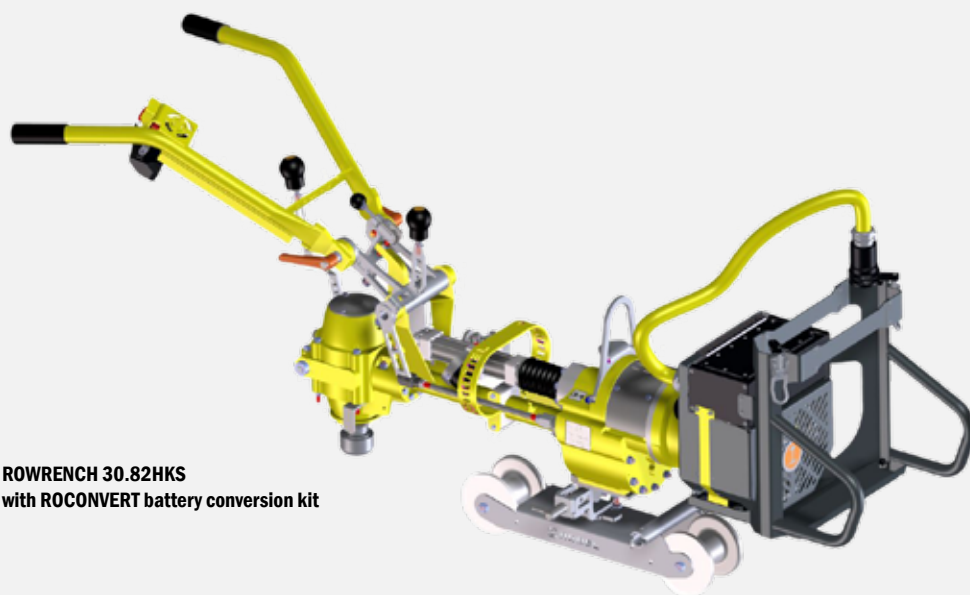
SPECIFICATION

Type	BLDC electric motor
Output	4.0 kW
Expansion possible	30.82 & 30.82HKS (with Honda GX200 or electric motor 400V, 50Hz)
Number of wrenching cycles	approx. 1000 wrenching cycles per charge of 2300 Wh battery (*)
Expansion possible	34.01 (with Honda GX200)
Clipping time	approx. 90 min clipping time per charge of 2300 Wh battery (*)
Dimensions (L x W x H)	500 x 400 x 450 mm
Weight	
Battery conversion kit	17.5 kg
Battery 2300 Wh	17.5 kg
400 Volt power supply	18.0 kg

(*) Depending on type of track, condition of track, torque required etc.

ACCESSORIES

7839900001	Battery 2300 Wh
7879900001	Charger for battery 2300 Wh
5039900003	Power supply, 400 Volt – 60 Volt (incl. shoulder strap)
9000208017	Battery box for battery 2300 Wh



ROWRENCH 30.82HKS
with ROCONVERT battery conversion kit



Battery 2300 Wh –
7839900001



400 Volt power supply –
5039900003

**We will be happy to convert your machine in Freilassing.
You are interested in purchasing a new battery powered machine?
Please get in touch with your ROBEL contact for further information.**

ROPOWER 76.20 E³ High-Pressure Power Pack-Battery

Emission-free power for hydraulic weld trimmers and hydraulic rail stressors.



ROPOWER 76.20 - 5089900002
4-part carrying handles - 5088930001
ROBATTERY 71.01 800 Wh - 7806800004

THE ADVANTAGES. YOUR BENEFITS.

Compact design

- Low space requirement for transport and storage
- Frame protects components from damage
- Carrying handle options (2-part, 4-part)

Quick and easy working

- Automatic changeover from low pressure range to high pressure range
- Keyed connectors prevent misconnection
- Use in urban areas, tunnels and open cast mining
- Flexible use of various ROBEL batteries
- Use of a second rail stressor possible due to integrated shut-off valves in the hose kit
- Use of the 2300 Wh battery or a power supply (with adapter) possible
- 400 Wh battery: approx. 15-20 trimming operations or approx. 7 stressing operations
- 800 Wh battery: approx. 28-32 trimming operations or approx. 14 stressing operations

SPECIFICATION

SINGLE

DUAL

	SINGLE	DUAL
Drive	BLDC electric motor	BLDC electric motor
Output	1.3 kW	1.3 kW
Pressure supply	550 bar	550 bar + 670 bar
Dimensions (L x W x H)	605 x 365 x 395 mm	605 x 365 x 395 mm
Weights		
Hydraulic power pack (without carrying handles, without battery)	32 kg	38 kg
Battery 400 Wh	3.9 kg	3.9 kg
Battery 800 Wh	6.3 kg	6.3 kg
Drive for	ROTRIM 14.10	ROTRIM 14.10+ ROSTRESS 24.70
Emergency hand pump no yes	no	yes (optional)

ACCESSORIES

- 7826800002 Battery 400 Wh
- 7806800004 Battery 800 Wh
- 7806850001 Charger for 400/800 Wh battery
- 9000208016 Battery box for battery 800 Wh
- 5088930001 4-part carrying handles
- 5088930002 2-part carrying handles
- 9000860451 Hose kit ROTRIM 14.10 Hydraulic Weld Trimmer
- 5087900005 Hose kit ROSTRESS 24.70 Hydraulic Rail Stressor with lashing protection (increased safety)
- 5088930003 Distribution block for operating 2 rail stressors (ROSTRESS 24.70)



4-part carrying handles 5088930001

2-part carrying handles 5088930002



5088930003



9000860451



5087900005

DRILLING



RODRILL 10.40

Rail Drilling Machine

For efficient rail drilling.

THE ADVANTAGES. YOUR BENEFITS.

Efficiency and mobility

- Drilling time about 12 – 60 seconds depending on rail profile and drill bit
- Coolant flow via drill spindle and drill bit
- Low weight for flexible use
- Different versions available
- Very lightweight version available

Easy handling

- One-man operation
- Manual feed
- Quick and safe attachment to rail
- Quick-clamping device available as accessory – assembly/disassembly in under 3 seconds



RODRILL 10.40 – 8209900602

SPECIFICATION

	Version 04	Version 06
Drive	4-stroke petrol engine	4-stroke petrol engine
Type	Honda GX35	Honda GX50
Output	1.0 kW	1.47 kW
Drilling time	12-60 sec. (*)	12-60 sec. (*)
Max. drilling diameter	38 mm	42 mm
Drill adapter	Weldon shank	Weldon shank & quick lock
Dimensions (L x W x H)	500 x 310 x 520 mm	530 x 350 x 530 mm
Total weight	from 19 kg	from 15.5 kg

(*) depending on rail profile, rail hardness, drill bit etc.

ACCESSORIES

Drilling in flat bottom rails

2 rail profile templates each required per rail section, standard clamping device included
 8204050100 for 49E1/54E3/60E1
 8204050210 for 54E1/54E2

Other variants on request. Please provide details of rail profile and drilling height.

7814103002 Quick-clamping device

Drilling in grooved rails

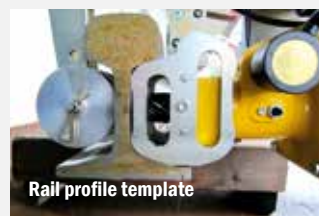
2 rail profile templates each per rail section and a special clamping device are required
 9801040089 Clamping device for grooved rails up to RI60
 8204100002 2 additional pressure discs (depending on grooved rail)
 8204050150 RI60/DH 75 mm/outside

Other variants on request. Please provide details of rail profile and drilling height.

Drilling in conductor rails and flat bottom rails

2 rail profile templates each per rail section and a clamping device are required
 8204100004 Clamping device
 8204050221 for STR40 and ASS5100

Other variants on request. Please provide details of rail profile and drilling height.



Rail profile template



Clamping device for grooved rail



Clamping arm for conductor

ACCESSORIES

Core hole drill bits with quick lock

Use in combination with cooling pin
 With 19 mm Weldon shank, cutting depth 25 mm.
 Optimal drilling performance for rail web tensile strength
 up to 900 N/mm².

From Ø 16 mm – Ø 42 mm
 9002508236 Ø 19 mm
 9002508234 Ø 30 mm
 9002508235 Ø 32 mm
 9002508233 Ø 33 mm

Other diameters available on request.

9002501646 Short cooling pin for core hole drill bit
 (use for flat bottom rail)
 9002501655 Long cooling pin + 8203550100 Adapter
 (depending on profile of grooved rail or conductor rail)

Twist drill bits

From Ø 7 mm – Ø 15 mm
 9820350220 Ø 13 mm

Adapter for twist drill bit Ø 7 mm – Ø 15 mm
 9820350130 Ø 13 – 15 mm

Other diameters available on request.

9001511073 Coolant (5 litre canister)
 9001511033 Antifreeze concentrate, 5 litres
 mixing ratio e.g. -15 degrees Centigrade:
 antifreeze : water = 2 : 3
 9801040004 Transport and storage box
 made of aluminium with lockable lid
 and carrying handles
 9801040005 Aluminium coolant and swarf collecting tray

Multi-hole drilling templates

Precise drilling intervals are achieved by simply inserting the
 drilling machine into the distance blocks.
 Distance blocks can be adjusted individually by the customer to
 the dimension required.

The template is applied from the rail end:

8204062001 2-hole
 8204062002 3-hole

The template is applied at the continuous rail:

8204062003 4-hole
 8204062004 6-hole

Adjustment of height by ROBEL, on request, stating the rail
 profile, drilling height and drilling intervals.



Drill bit, adapter and coolant ejector pin



Adapter and twist drill bit 13 mm



Transport case, coolant and collecting tray



3-hole drilling template



6-hole drilling template

ROBORE 11.12 Portable Sleeper Drilling Machine

For efficient drilling of wooden and synthetic sleepers.

THE ADVANTAGES. YOUR BENEFITS.

Compact and powerful

- Light and compact sleeper drilling machine
- Easy handling due to light-weight desing
- Engine speed controlled by hand throttle lever
- Depth stop can be adjusted on scale quickly and without the use of any tools
- Drill bit can be changed swiftly and without the use of any tool
- Lockable drill spindle

Safe and ergonomic

- Highest possible safety due to centrifugal clutch
- User-friendly machine height
- Good field of view on drilling site
- Individually adjustable for right- and left-handers



SPECIFICATION

Drive	4-stroke petrol engine
Type	Honda GX50
Output	1,47 kW
Adjustable drilling depth	up to 200 mm
Drilling diameter	10 - 25 mm
Drill bit change	approx. 30 seconds
Dimensions (L x W x H)	430 x 350 x 1125 mm
Total Weight	from 12 kg

ACCESSORIES

Sleeper drill bits

Automatic feed by screw point, made of tool steel, single-blade without taper tap, total length 457 mm with hexagonal adapter

9002508251	Sleeper drill bit \varnothing 15 mm, for wooden sleepers
9002508252	Sleeper drill bit \varnothing 16 mm, for wooden sleepers
9002508260	Sleeper drill bit \varnothing 17 mm, for wooden sleepers
9002508250	Sleeper drill bit \varnothing 18 mm, for wooden sleepers
9002508254	Sleeper drill bit \varnothing 20 mm, for wooden sleepers
9002508253	Sleeper drill bit \varnothing 21 mm, for wooden sleepers
7858930110	Centre tip for 11-18 mm drill bit/ 26 mm ribbed base plate
7858930130V	Circular level for ensuring vertical hole
9899890100	Shoulder strap

Other drilling diameters and centring tips available on request.



CUTTING



CUTTING

ROCUT 13.86

Rail Cutter

ROSAW 12.72MSB Mobile Rail Band Saw



ROSAW 12.72MSB - 509990002

For cutting rails without sparking in new construction and maintenance.

THE ADVANTAGES. YOUR BENEFITS.

Patented 4-roller technology

- Precise and fast cutting due to sturdy machine frame
- Long blade life due to low torsion compared to 3-roller technology

Efficiency and ergonomics

- Easy and quick blade change
- Low hand-arm vibration
- Low noise level
- Modular design

Flexible use

- Quiet working with low vibration

- Cutting of heavily worn rails possible due to clamping on rail web

Protection of operator and environment

- Operator safety due to cutting without sparks
- Quality of rail maintained due to cold saw cut
- No grinding dust

Recommended application: For neutral rail temperature or tensile stress in the rail. Ideally suited for night work (low noise emission) and low temperature in the rail.

SPECIFICATION

Drive	Electric motor
Type	110 V/50 Hz; 230 V/50 Hz; 400 V/50 Hz
Output	0.75 kW
Cutting speed	72 m/min
Cutting time	from 2 min/cut
Spindle feed	manual
Dimensions (L x W x H)	815 x 590 x 550 mm
Band saw weight	from 54 kg
Tensioning block weight	from 19 kg

Saw blade life of up to 25 cuts in unhardened rails, up to 8 cuts in hardened rails or tough steel.

ACCESSORIES

- 9801272008 Band saw blade
- 9001511027 Coolant concentrate, 5 litres, mixing ratio concentrate : water = 1:50
- 9801040005 Aluminium coolant collecting tray
- 9008120317 Extension cable 10 m (only for 230 V version)
- 5098960001 Transport box
- 8204050100 Profile template for 49E1/54E3/60E1

Profile templates for other rail profiles on request.



Transport box

ROCUT 13.70 Rail Cutter

For fast and efficient cutting of maximum strength rails.

- Short cutting times, e.g. approx. 1 min. possible for rail profile 49E1
- Flying sparks controlled downwards and optimum utilisation of cutting disc thanks to device changeover
- Sturdy and light aluminium guide frame
- Clamping device adjustable to rail type
- With kerf indicator for accurate determination of cutting point
- Relieves the operator thanks to supporting spring on the guide arm
- Easy starting of engine thanks to Smart Start decompression equipment
- Optimum filter effect due to air injection technology, fine filter and impregnated pre-filter
- Spark protection for cutting disc continuously adjustable



SPECIFICATION

Drive	2-stroke petrol engine	2-stroke petrol engine	2-stroke petrol engine
Type	Husqvarna	Husqvarna	Husqvarna
Output	5.8 kW	5.8 kW	5.8kW
Cutting disc diameter	350 mm	400 mm	350 mm
Safety shut-down	yes	no	no
Cutting rate (*)	from 1 min/cut up to 8 cuts per disc	from 1 min/cut up to 10 cuts per disc	from 1 min/cut 8 cuts per disc
Guide frame	from 9 kg	from 5.5 kg	from 5.5 kg
Engine powered cutter	from 18 kg	from 15.7 kg	from 15 kg
Cutting disc	from 0.8 kg	from 1.3 kg	from 0.8 kg
Total weight	from 27.8 kg	from 22.5 kg	from 21.3 kg

(*) depending on rail profile, cutting disc and operator etc.

ACCESSORIES

Cutting discs

- 9002000309 Ø 350 x 4 x 22.2 mm
 - 9002000300 Ø 350 x 4 x 25.4 mm
 - 9002000911 Ø 400 mm x 4 mm x 25.4 mm
- Other cutting discs on request.

9000860394 Adapter for cutting discs with 25.4 mm holder for 13.70, EDP no:

- 8709900031
- 8709900033

not necessary for 13.70 with EDP no.:

- 8709900030

8001381004 ROBEL 13.81 Safety Blocking Device for cutting rails under compressive stress, incl. 1 pair of wedges

8708960100 Transport box

9801370182 Guide frame for grooved rails for 13.70 with EDP no.:

- 8709900033
- 8709900031



ROCUT 13.86 Rail Cutter

For efficient cutting of maximum strength rails.

- Rail can be cut from both sides without changeover
- Relieves the operator thanks to supporting spring on the guide arm
- Precise positioning at the cutting point due to kerf indicator
- Easy starting of engine thanks to Smart Start decompression equipment
- Optimum filter effect due to air injection technology, fine filter and impregnated pre-filter
- Electronic speed limiter
- Centrifugal clutch
- Spark protection of cutting disc continuously adjustable
- Sturdy and light aluminium guide frame
- Optional: available with safety shutdown



ROCUT 13.86 - 8399900020

SPECIFICATION

Drive	2-stroke petrol engine	2-stroke petrol engine
Type	Husqvarna	Husqvarna
Output	5.8 kW	5.8 kW
Cutting disc diameter	300 mm	350 mm
Cutting rate (*)	from 1 min/cut up to 6 cuts/cutting disc	from 1 min/cut up to 8 cuts/cutting disc
Weight		
Rail Cutter	from 16 kg	from 16.8 kg
Guide frame	from 11.2 kg	from 11.2 kg
Cutting disc	from 0.5 kg	from 0.8 kg
Total weight machine	from 27.7 kg	from 28.8 kg

(*) depending on rail profile, cutting disc and operator etc.

ACCESSORIES

Cutting discs

9002000307 ø 300 x 3.5 x 22.2 mm

9002000309 ø 350 x 4 x 22.2 mm

9002000300 ø 350 x 4 x 25.4 mm

Other cutting discs on request.

8394150100 Adapter for cutting discs with 25.4 mm holder

8001380010 Clamping device for grooved rails
(max. head width 130 mm)

8001380020 Guide frame, complete, for grooved rails

8001381004 Safety blocking device ROBEL 13.81
for cutting rails under compressive stress
incl. 1 pair of wedges

8398960100 Transport box

GRINDING



GRINDING

ROGRIND 13.45RS

Rail Grinding Machine

ROGRIND 13.45RS Rail Grinding Machine



ROGRIND 13.45RS - 5159906301

For precise grinding of welding joints and for reprofiling the complete rail head. Can also be used in switches, for frogs and for grinding grooved rails.

THE ADVANTAGES. YOUR BENEFITS.

- **Visibility:** Optimal visibility of the rail during operation
- **Motor:** ROBEL RGX200, reliable, powerful motor, perfect starting performance at maximum torque
- **Clutch:** New low-maintenance long-life clutch between engine crankshaft and grinding spindle
- **Ergonomics:** Optimal ergonomics thanks to perfect weight distribution with central engine
- **Weight:** With approx. 55 kg, excellent balance between machine weight and performance ratio
- **Features:** LED lighting and robust/proven stainless steel tank

SPECIFICATION

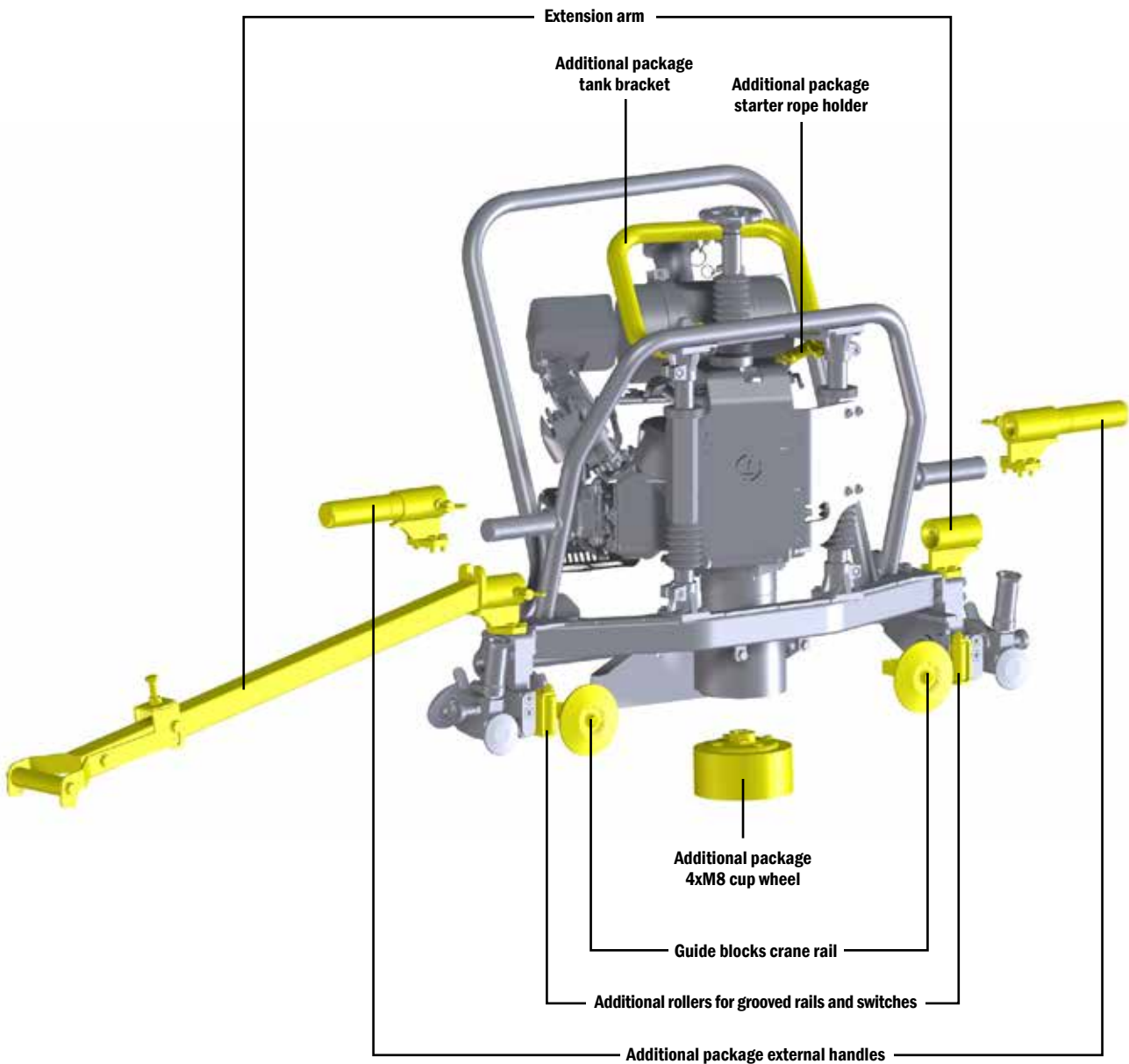
Versions	5159906301	5159906302	5159906303
Drive	One-cylinder 4- stroke engine	One-cylinder 4-stroke engine	One-cylinder 4-stroke engine
Type	RGX200	RGX200	RGX200
Output	4,6 kW	4,6 kW	4,6 kW
Weight	approx. 55 kg	approx. 60 kg	approx. 56 kg
Roller spacing	850 mm	1000 mm	850 mm
Dimensions (L x W x H)	1080 x 520 x 790 mm	1060 x 550 x 920 mm	940 x 520 x 830 mm
Guiding handle	left	right	left
Guiding system	Universal guiding system	Rail guiding system	Rail guiding system
Hand wheel	small (100 mm)	big (160 mm)	small (100 mm)
Cup wheel	Ø 125 mm M20	Ø 150 mm M20	Ø 125 mm M20

ACCESSORIES

5158930018	Extension arm
5158930019	Additional rollers for grooved rails and switches
9000200182	Steel wire brush
8931002007	Centring nut, fixings for steel wire brush
5158930023	Additional package 4xM8 cup wheel
5158930016	Guide blocks crane rail
5158930027	Guide blocks grooved rail
5158930024	Additional package starter rope holder
5158930025	Additional package external handles
5158930026	Additional package tank bracket

Cup wheels

9002000687	Ø 125 mm central nut holder M20
9002000689	Ø 150 mm central nut holder M20
9002000691	Ø 90 mm central nut holder M20



ACCURATE AND PRECISE GRINDING OF WELD JOINTS.



ROGRIND 13.45SKS - 5159900804 - Guiding handle right

The grinding machine for reprofiling the rail head.

THE ADVANTAGES. YOUR BENEFITS.

Powerful machine. Universal application.

- Can be used for all common types of rail due to adjustable spacing of guide discs to various rail head widths.
- Durable stainless steel tank for 4-stroke engine variant
- Optional: LED lighting with 4-stroke engine version for optimum illumination of work area

Simple operation.

Controlled and precise grinding.

- Machine specially adapted to the operator.
- Adjustment of spindle resistance without tools
- Easy changing of cup wheel thanks to Quick Lock
- Digital hour meter/rev counter

SPECIFICATION

Drive	One-cylinder 4-stroke engine	Electric motor	One-cylinder diesel engine
Type	RGX200	400 V, 50 Hz	Yanmar
Output	4.6 kW	2.7 kW	3.5 kW
Total weight	from 68.5 kg	from 62.5 kg	from 75 kg
Roller spacing	1000 mm	1000 mm	1000 mm

INDIVIDUAL CONFIGURATION OPTIONS

1. Guiding systems

Standard rail guiding system
 Universal guiding system
 Grooved rail guiding system
 Crane rail machining set (up to rail head width 120 mm)
 Guiding system for small flat bottom rails

2. Guiding handle

Guiding handle left
 Guiding handle right

3. Carrying handles

Inside carrying handle
 Outside carrying handle
 Bow-type handle

4. Hand wheel

Hand wheel Ø 100 mm
 Hand wheel Ø 160 mm

5. Grinding spindle

Standard grinding spindle
 Raised grinding spindle

6. Foldable spark protection

7. LED lighting

ACCESSORIES

Accessories grinding machine

5158930001 Multiroller carrier (2 required)
 5150800002 Outrigger
 5158931002 Extension arm for frog noses
 5158930004 Crane lifting eye

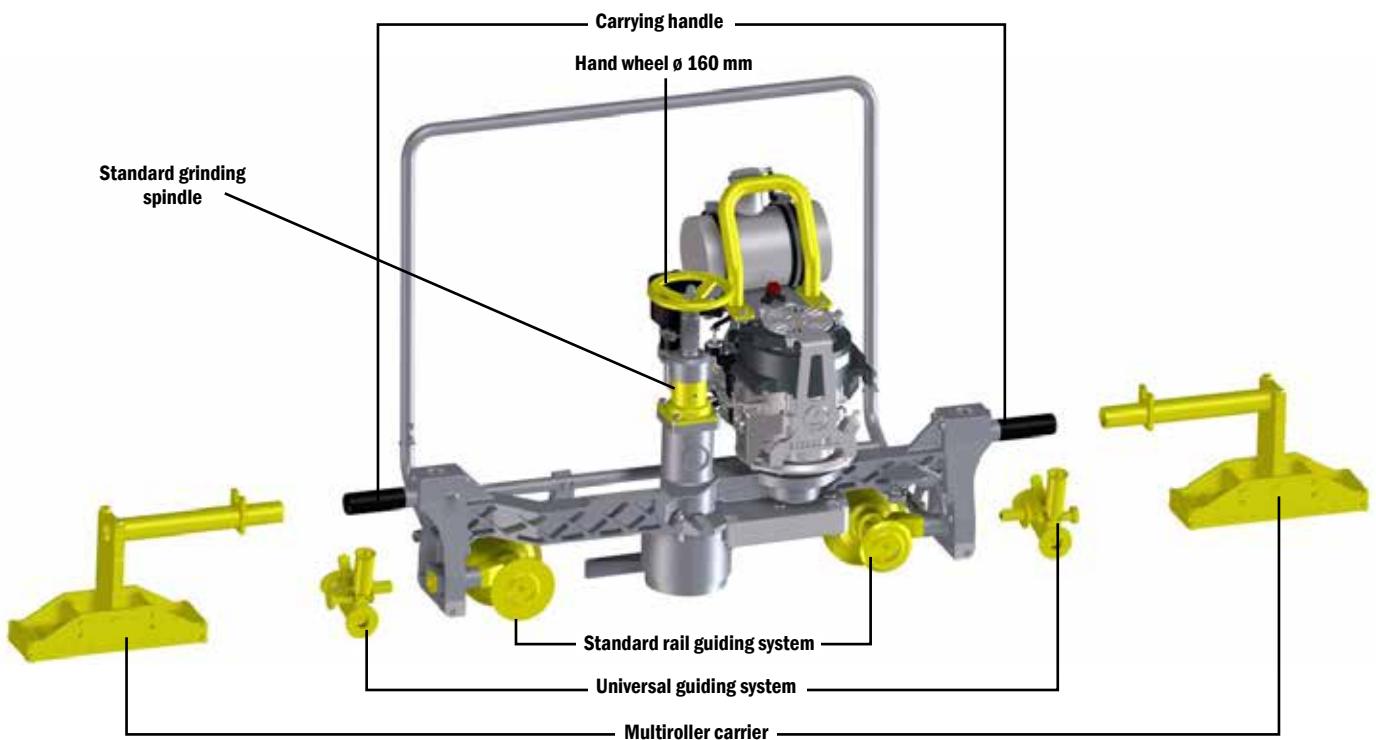
9000200182 Steel wire brush
 e.g. for removing rust from rails
 (not to be used without centring nut)
 8931002007 Centring nut, fixings for steel wire brush

Cup wheels

9878081000 Ø 90 mm conical for frog noses and switches, central nut holder M20 (also suitable for the running surface of grooved rails)
 9002000330 Ø 90 mm cylindrical for built-up welds, central nut holder M20
 9002000687 Ø 125 mm central nut holder M20
 9002000688 Ø 125 mm screw fastening 4xM8, pitch circle Ø 90 mm
 9002000690 Ø 150 mm central nut holder M20
 9002000689 Ø 150 mm screw fastening 4xM8, pitch circle Ø 115 mm
 Other cup wheels on request.



Cup wheels



**Do you require a different version?
 Please get in touch with your ROBEL contact.**

Illustration ROGRIND 13.45SKS: Left-hand guide handle

**LIGHT. COMPACT.
POWERFUL.**



ROGRIND 13.45WBF - 5159906003 - Guiding handle left

**For precise grinding of welding joints and for reprofiling the complete rail head.
Can also be used in switches and for grinding grooved rails.**

THE ADVANTAGES. YOUR BENEFITS.

Convenient to use. Individual format.

- Easy changing of cup wheel thanks to Quick Lock
- Non-projecting carrying handles allow for easy transport
- Optional: LED lighting with 4-stroke engine version for optimum illumination of work area
- Side stand for safe placement of machine for variant with left-hand guide handle

Powerful machine. Powerful grinding results.

- Rotational resistance can be adjusted at spindle hand wheel as required, without the use of any tools
- Durable stainless steel tank for 4-stroke engine variant
- Powerful engines
- Height-adjustable spark protection
- Steady universal guiding system

SPECIFICATION

Drive	One-cylinder 4-stroke engine	Electric motor	Diesel engine
Type	RGX200	400 V, 50 Hz	Yanmar
Output	4.6 kW	2.7 kW	3.5 kW
Weight	from 67 kg	from 61 kg	from 73 kg
Roller spacing	850 mm	850 mm	850 mm

INDIVIDUAL CONFIGURATION OPTIONS

1. Guiding systems

Standard rail guiding system
 Universal guiding system
 Grooved rail guiding system
 Crane rail machining set (up to rail head width 120 mm)
 Guiding system for small flat bottom rails

2. Guiding handle

Guiding handle left
 Guiding handle right

3. Carrying handles

Inside carrying handle
 Outside carrying handle
 Bow-type handle

4. Hand wheel

Hand wheel Ø 100 mm
 Hand wheel Ø 160 mm

5. Grinding spindle

Standard grinding spindle
 Raised grinding spindle

6. Foldable spark protection

7. LED lighting

ACCESSORIES

Accessories grinding machine

5158930001 Multiroller carrier (2 required)
 5150800002 Outrigger
 5158931002 Extension arm for frog noses
 5158930004 Crane lifting eye

Cup wheels

9878081000 Ø 90 mm conical for frog noses and switches,
 central nut holder M20 (also suitable for the running
 surface of grooved rails)
 9002000330 Ø 90 mm cylindrical for built-up welds,
 central nut holder M20
 9002000687 Ø 125 mm central nut holder M20
 9002000688 Ø 125 mm screw fastening 4xM8, pitch circle Ø 90 mm
 9002000690 Ø 150 mm central nut holder M20
 9002000689 Ø 150 mm screw fastening 4xM8, pitch circle Ø 115 mm
 Other cup wheels on request.

9000200182 Steel wire brush
 e.g. for removing rust from rails
 (not to be used without centring nut)
 8931002007 Centring nut, fixings for steel wire brush



Cup wheels

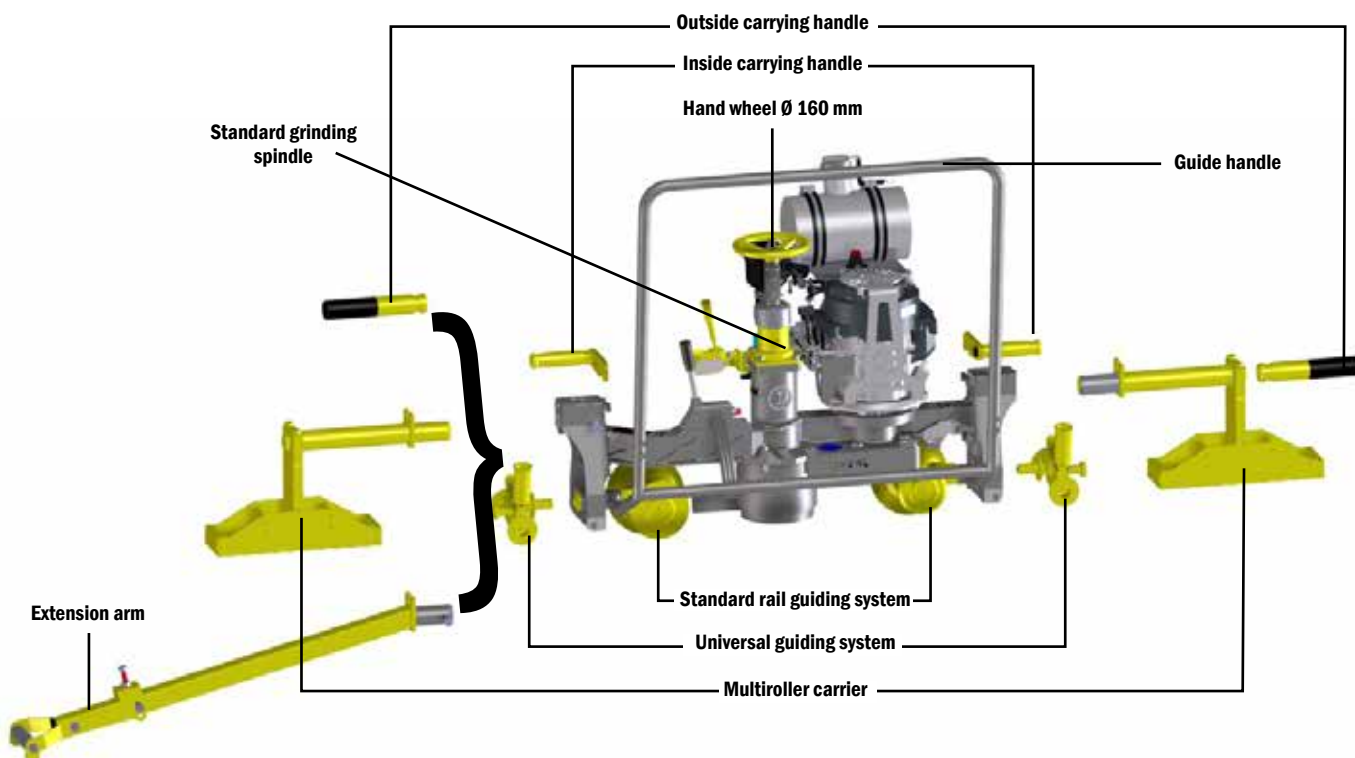


Illustration ROGRIND 13.45 WBF: Right-hand guide

**Do you require a different design?
 Please get in touch with your ROBEL contact.**



ROGRIND 13.48 - 8489900053
Outrigger - 8489910001

For true-to-form grinding of the rail head after welding work to restore a perfect profile.

THE ADVANTAGES. YOUR BENEFITS.

- 100 % copy of the rail profile due to special copying device
- Simple operation in ergonomic work position
- More safety
 - during non-operation due to deadman's brake (optional)
 - during grinding due to depth stop (optional)
 - due to good visibility from both operating sides, also at night thanks to LED lighting (optional)
- Ergonomic operation
 - Whilst standing upright
 - Due to electric height adjustment of cup wheel
 - Can be operated with left or right hand with optimum view of the grinding area

Applications

- For thermite and flash welding
- Can be used with 125 mm and 150 mm cup wheels, even for high rail profiles

SPECIFICATION

Drive	4-stroke petrol engine	Electric motor
Type	Honda	GX 270
Output	6.3 kW	4 kW
Cup wheel	Ø 150 mm, also Ø 125 mm	Ø 150 mm, also Ø 125 mm
Max. permissible circumferential speed	50 m/s	50 m/s
Speed	4200 rpm	4500 rpm
Roller spacing	1000 mm	1000 mm
Weight	from 99 kg	from 99.5 kg
Weight, outrigger	from 25 kg	from 25 kg
Length without/with folding handles	1450/1840 mm	1550/1975 mm
Width without/with folding handles	550/580 mm	325/490 mm
Height	870 mm	880 mm
Pivoting angle, copying carriage	92° in both directions	92° in both directions



ROGRIND 13.48 Electric version – 8489900052

ACCESSORIES

Cup wheels

- 9002000690 Ø 150 mm central nut holder M20
- 9002000689 Ø 150 mm screw fastening 4xM8, pitch circle Ø 115 mm

Other cup wheels on request.

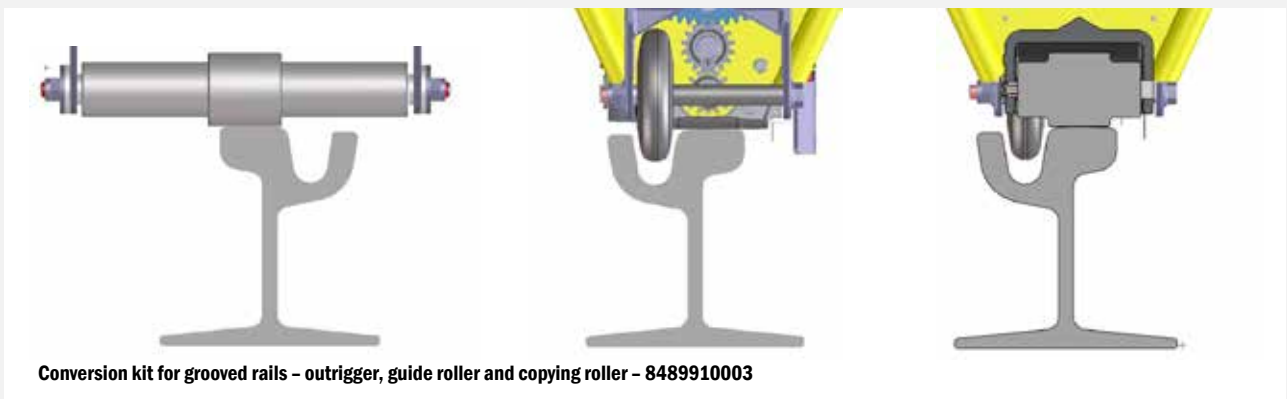
- 8489910003 Conversion kit for grooved rail
- 8931002007 Centring nut, fixings for steel-wire brush
- 9000200182 Steel-brush (plaited) e.g. for derusting rails



Cup wheels



Centring nut and steel wire brush



Conversion kit for grooved rails – outtrigger, guide roller and copying roller – 8489910003



ROGRIND 13.63 (Basisrahmen) – 5139900001
 Modul: Schleifscheibe BLDC-Elektromotor – 5134200007

For grinding of built-up welds on switch blades, frogs, stock rails and check rails as well as deburring of rail heads and in switches.

A grinding module (grinding disc/cup wheel) can be used with a base frame.

THE ADVANTAGES. YOUR BENEFITS.

High work quality & productivity

- Fast changeover of grinding modules without tools
- Low space requirement during transport and storage of the machine due to telescopic frame
- High flexibility due to various drive options
- Greater stability due to double holder of the 4 insulated flange rollers (divided)
- Drive for modules with BLDC electric motor: battery or power supply

User-friendly & safe

- Ergonomic guidance and operation of the machine
- Good view of the grinding area
- LED lighting
- Emergency stop on the push bar for more safety
- Rack for modules included in scope of delivery (excl. module for rail web grinding)

Wide range of applications

- The machine can be used for all common grinding and reprofiling work, especially in switches.
- Gauge adjustment without tools due to telescopic frame
- Optional: Work on grooved rails

High grinding and work quality

- Precisely ground face due to stable guidance and central feed of grinding units
- Precise setting of grinding angle with fine adjustment and large scale
- Grinding throughput with BLDC electric motor: at least 60 minutes of continuous grinding (depending on rail profile, trimmer, grinding wheel etc.)
- Consistent running during side grinding due to additional guide rollers
- Deadman's brake
- Twist resistant due to strong closed frame
- Optional: Module for grinding rail webs: for derusting the rail web for a continuous current flow before the flash welder machine, for preparing an insulated joint or removing rolling marks.

SPECIFICATION Base frame

Track gauge	1000 – 1676 mm
Dimensions in transport position (L x W x H)	1750 x 1165 x 1060 mm
Dimensions in working position (L x W x H)	2200 x 1165 x 1060 mm
Base frame weight	from 92 kg

ACCESSORIES

5128930001	Toolbox
5120110001	Rollers for grooved rails
9000100195	Cover
5118930001V	Storage grid
5138930005	Rotating device 180°
5138930004	Battery tool box (up to 4 batteries (2300 Wh))
5138930012	Additional carrying handles
5138930013	Auxiliary travelling gear

SPECIFICATION Module: Grinding disc

Drive	4-stroke petrol engine	4-stroke petrol engine	Electric motor	BLDC electric motor
Type	Honda GX200	Honda GX270	400 V, 50 Hz	
Output	4.3 kW	6.3 kW	4.0 kW	6.6 kW
Grinding disc external diameter	260 mm	260 mm	260 mm	260 mm
Max. swivelling range	32° in both directions	32° in both directions	32° in both directions	32° in both directions
Grinding disc speed	3250 rpm	3250 rpm	3250 rpm	3250 rpm
Module weight	from 36.8 kg	from 48.2 kg	from 48 kg	from 24.1 kg



Grinding disc module GX 200



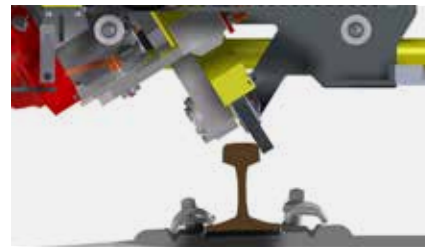
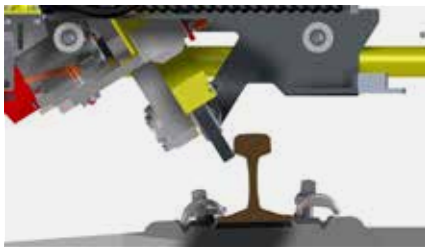
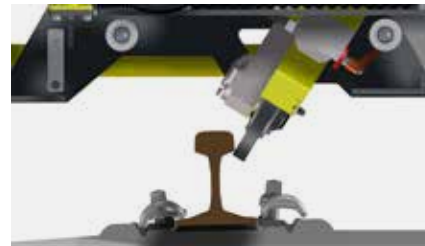
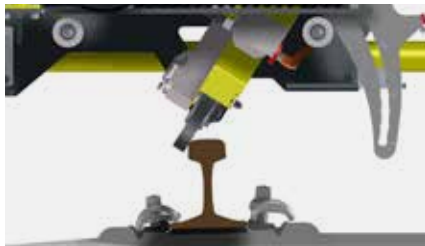
Grinding disc module GX 270



Electric motor grinding disc module



BLDC electric motor E³ grinding disc module



Maximum swivelling range: 32° in both directions with grinding disc module

ACCESSORIES

Grinding discs for flat bottom rails

- 9002000701 ø 260 x 25 mm, holder ø 120 mm
- 9002000463 ø 254 x 40 mm, holder ø 76.2 mm
- 8890500001V Grinding disc holder for grinding disc ø 254 x 40 mm, holder ø 76.2 mm
- 9002000439 ø 255 x 32 mm, holder ø 25.4 mm
- 8890810001 Grinding disc holder for grinding disc ø 255 x 32 mm, holder ø 25.4 mm

Grinding discs for grooved rails

- 9002000654 ø 260 x 15 mm, holder ø 120 mm
- 9889410004 Grinding disc holder for grinding disc ø 260 x 15 mm, holder ø 120 mm

Accessories for E³ grinding disc module

- 7839900001 Battery 2300 Wh
- 7879900001 Battery charger 2300 Wh
- 5039900003 Power supply, 400 Volt
- 5118930001V Storage grid for battery
- 9000208017 Battery box for battery 2300 Wh



Grinding discs

SPECIFICATION Module: Cup wheels

Drive	4-stroke petrol engine	Electric motor	BLDC electric motor	BLDC electric motor
Type	RGX200	400 V, 50 Hz		
Output	4.6 kW	4.0 kW	6.6 kW	6.6 kW
Grinding disc external diameter	90 mm/125 mm/150 mm	90 mm/125 mm/150 mm	90 mm/125 mm/150 mm	90 mm/125 mm/150 mm
Max. swivelling range	80° internal and 20° external	80° internal and 32° external	80° internal and 32° external	90° internal and 32° external
Grinding disc speed	3900 rpm	2900 rpm	3800 rpm	3800 rpm
Module weight	from 30.6 kg	from 37.5 kg	from 24.1 kg	from 30,5 kg



RGX200 cup wheel module



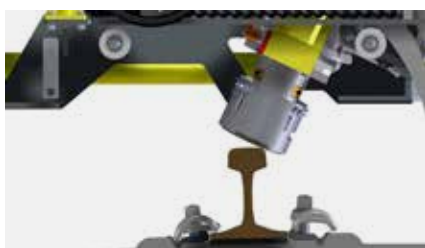
Electric motor cup wheel module



BLDC electric motor E³
cup wheel module



BLDC electric motor E³
cup wheel module 90°



Maximum swivelling range 32° external and 80° internal

ACCESSORIES

Cup wheels

- 9878081000 Ø 90 mm conical for frog noses and switches, central nut holder M20 (also suitable for the running surface of grooved rails)
- 9002000330 Ø 90 mm cylindrical for built-up welds, central nut holder M20
- 9002000687 Ø 125 mm central nut holder M20
- 9002000688 Ø 125 mm screw fastening 4xM8, pitch circle Ø 90 mm
- 9002000690 Ø 150 mm central nut holder M20
- 9002000689 Ø 150 mm screw fastening 4xM8, pitch circle Ø 115 mm

Other cup wheels on request.

Accessories for E³ cup wheel module

- 7839900001 Battery 2300 Wh
- 7879900001 Battery charger 2300 Wh
- 5039900003 Power supply, 400 Volt
- 5118930001V Storage grid for battery
- 9000208017 Battery box for battery 2300 Wh



Cup wheels

SPECIFICATION Module: Rail web grinding

Drive	4-stroke petrol engine	BLDC electric motor
Type	RGX200	
Output	4.6 kW	6.6 kW
Profile grindstone cup wheel outside diameter	135 mm x 90 mm	135 mm x 90 mm
Max. swivelling range	+/- 15°	+/- 15°
Grinding disc speed	3900 rpm	3800 rpm
Module weight	from 34.5 kg	from 24.1 kg

ACCESSORIES

Profile grindstones

- 9898081080 for rail sections 49E1 to R65
135 x 55 x 90/50/25.4
- 9002000556 for rail sections smaller than 49E1
135 x 55 x 70 x 20 x 25,4
- 5138930008 Wire brush with protective cover



RGX200 rail web grinding module



BLDC electric motor E³ rail web grinding module



Grinding disc module GX 200



Grinding disc module GX 270



Electric motor grinding disc module



BLDC electric motor E³ grinding disc module



RGX200 cup wheel module



ROGRIND 13.63 BASE FRAME



BLDC electric motor E³ rail web grinding module



BLDC electric motor E³ cup wheel module 90°



Electric motor cup wheel module



BLDC electric motor E³ cup wheel module



RGX200 rail web grinding module



ROTRIM 14.10 - 8859900014
Shear blade set FORM B - 9801410001

To trim thermite welded rail welds.

THE ADVANTAGES. YOUR BENEFITS.

Reliable and ergonomic handling

- Long life of machine due to sturdy design using fine-grained steel
- Easy handling due to ergonomic handles
- Follow-up grinding minimised due to individual setting of trim height
- Reduced wear of shear blades due to adjustable stop screws
- Precise work result due to quadruple pressure pads and double longitudinal guide of shear blades

Easy and quick removal of welding beads

- Double-acting hydraulic cylinders press individually adjusted shear blades against each other
- No hot cracks in the weld due to simultaneous shear blade application from two sides

SPECIFICATION

Dimensions (L x W x H)	
With hand pump	860 x 360 x 325 mm available with wide frame of 440 mm
Without hand pump (for high-pressure power pack)	805 x 360 x 220 mm available with wide frame of 440 mm
Weight	
With hand pump	from 49.5 kg (weight with wide frame from 55.5 kg)
Without hand pump (for high-pressure power pack)	from 40.7 kg (weight with wide frame from 46.7 kg)
Two shear blades	2.8 kg each (FORM B) or 4.7 kg each (FORM A)
Shearing force at max. permissible operating pressure	
With hand pump	500 bar/200 kN
With hydraulic power pack	550 bar/220 kN
Max. stroke	160 mm

ACCESSORIES

Shear blade sets

8859900001	FORM B for 49E1/54E3/54E2
9801410001	FORM B for 60E1/54E1/R50/R65
8859900003	FORM B for 132 LB
9801410030	FORM A for 132 RE, 140 RE, R65
9801410033	FORM A (with riser) for 49E1/54E3/54E2
9801410934	FORM A (with riser) for UIC60



Shear blade FORM A (with riser)



Shear blade FORM B

Hose sets 5 metres (only for weld trimmers with power pack)

5087900003	Parker/Cejn for old weld trimmers (14.10/version 07) + new power packs (76.02/76.20) or for new weld trimmers (14.10/version 08 and version 09) + old hydraulic power packs (76.01)
9000860451	Cejn/Cejn for new weld trimmers (14.10/version 08/09) + new power packs (76.02/76.20)



ROTRIM 14.10 - 8859900014 with ROPOWER 76.02 - 5149900303



Suitable handles must be selected in addition for each high-pressure power pack:

5088930001	Carrying handles 4 sides
5148930301	Carrying handles 2 sides

A suitable shear blade set must be selected for each trimmer in addition – see above for available shear blade sets – other shear blade sets on request.



ROFACE 16.01 – 8069900002

For the milling of frogs* and rails (e.g. for drainage grooves in grooved rails).

THE ADVANTAGES. YOUR BENEFITS.

Powerful & efficient

- Controlled removal of material for all types of crack and damage
- Uniform machining of damaged areas without application of heat
- Compact design
- Milling of drainage grooves in grooved rails possible

Cost effectiveness

- Low repair costs due to
 - Time savings compared to manual machining
 - Optimum use of short possessions
 - Short set-up time
- Cost savings due to repair instead of replacement

User-friendly

- Modular design of machine
- Easy handling
- Magnetic mounting for work on rails embedded in asphalt as special equipment

Suitable for hardened rails and frogs with a tensile strength up to 880 N/mm².
Please get in touch with your ROBEL contact.

SPECIFICATION

Drive	electric motor 400 V
Output	2 kW
Quantity of metal removed from 60E1 frog	7 kg (steel/h)
Service life/milling cutter on 60E1 frog	1 to 2 h
Diameter of milling cutter	16/20 mm
Dimensions (L x W x H)	1000 x 500 x 650 mm
Weight of cutter head from	41 kg
Weight without magnetic mounting	from 62 kg
Magnetic mounting weight	from 32 kg

ACCESSORIES

- 9801601001 Transport and storage box for storage and safe transport of the machine (highly recommended)
- 9801601002 Transport and storage box for storage and safe transport of the machine with magnetic mounting (highly recommended)
- 9000600473 End mill 4-edged, Ø 16 mm
Length 92 mm
- 9002501731 Collet chuck for end mill Ø 16 mm
- 9000600464 End mill 4-edged, Ø 20 mm
Length 90 mm
- 9002500219 Collet chuck for end mill Ø 20 mm
- 8069910002 Indicator (depth stop)



Transport and storage box – 9801601001



Drainage groove with ROFACE rail milling machine

Comparison of ROBEL drainage groove and welding torch



Drainage groove with welding torch

STRESSING PULLING BENDING



ROSTRESS 24.70

Hydraulic Rail Stressor

ROBEND 22.28 Switch Blade Lining Device

For bending switch rails.

A close fit of the switch blade on the stock rail is a condition for a train travelling through the switch at the permitted speed, highest level of safety and as smoothly as possible. The railway regulations determine the permissible amount of lining.



ROBEND 22.28 – 7269900101 – with pressure gauge mounting and guard

THE ADVANTAGES. YOUR BENEFITS.

- For maintenance work and repairs on switches
- To increase or decrease the radius in the area of the switch blade
- Application for lining and removal possible by one person
- Transport on rail due to integrated roller
- Hydraulic oil biologically degradable

SPECIFICATION

Drive	two-stage hand pump
Operating pressure	max. 700 bar
Compressive force	max. 250 kN
Max. travel	150 mm
Dimensions (L x W x H)	930 x 125 x 500 mm
Weight	from 80 kg
Heaviest individual component	from 51 kg

ACCESSORIES

- 7260701010 Profile jaws for 60E1, 2 off required
- 7260601010 Profile jaws for 49E1/54E3, 2 off required
- 8002228004 Transport and storage box, wooden, with lockable lid and carrying handles

Accessories for other gauges on request.



Profile jaws

ROBEND 22.38 Hydraulic Rail Bender

For bending and lining (in the Y-axis) of rails up to approx. 60 kg/m.

Optionally also for grooved rails (see accessories)

THE ADVANTAGES. YOUR BENEFITS.

- Aluminium frame
- Interchangeable claws
- Claws for flat bottom rails included
- Automatic return of piston using spring force
- Easy operation in all work positions
- Available with a pressure gauge as an option
- Supplied in a wooden box



SPECIFICATION

Compressive force	550 kN
Dimensions (L x W x H)	880 x 750 x 240 mm
Weight	from 74 kg

ACCESSORIES

8002238015 Claws for grooved rails incl. pressure pad

Grooved rail profile blocks

To prevent deformation of the grooves (2 blocks are always required)

8002238006 Spacing for RI60

Profile blocks for other gauges on request.



ROGAUGE 24.06 Gauge Bar

For adjusting or maintaining a defined gauge.

ROGAUGE Iso

- Insulated
- Can be fitted simply and easily to the foot of the rail
- For rails with a base width of 125 mm to 150 mm (e.g. 49E1/54E3 and 60E1)

ROGAUGE Iso Flat

- Insulated
- For slab track (spacing concrete-rail > 35 mm) and for ballasted track
- For rails with a base width up to 160 mm

ROGAUGE Iso Switch

- Insulated
- Cropped design perfect for use in switches
- No danger of tripping due to design
- Can be fitted simply and easily to the foot of the rail
- Can also be used on open track

ROGAUGE

- Not insulated
- Mounted to the grooved plates (K; KS track)
- Adjustment via threaded spindle when installed

Adjustment via threaded spindle when installed.
Different gauges available on request.



ROSHOE 24.08 Rail Pulling Shoe

For pulling rails in the ballast.

- For various types of rail up to a rail length of 180 m, depending on the condition of the track
- Can be used for drilled and undrilled rails
- Does not cause impressions or deformations of the rail

Rail profiles on request.



SPECIFICATION

Dimensions (L x W x H)	455 x 216 x 280 mm
Weight	approx. 39 kg

ROPULL 24.12 Hydraulic Rail Pulling and Pushing Device



For pulling and pushing flat bottom rails quick and without effort.

THE ADVANTAGES. YOUR BENEFITS.

- Compact design
- Equipped with 1 hydraulic cylinder, double-acting, with carrying handle and 2 clamping heads as standard
- Drive: ROTHREAD 43.32 Rail Threader or hand pump and gear pump with cordless screwdriver

NOTE:

Cordless screwdriver is not included in scope of delivery.

SPECIFICATION	8129900006	8129900007
Drive	By ROTHREAD 43.32 Rail Threader	Hand pump and gear pump with cordless screwdriver*
Max. tensile/compressive force	60 kN / 80 kN	60 kN / 80 kN
Piston travel	400 mm	400 mm
Max. pressure in hydraulic system	160 bar	160 bar
Dimensions (L x W x H)		
Unit incl. 2 clamping heads	900 x 315 x 585 mm	900 x 315 x 585 mm
Weight		
Unit	27.5 kg	32.0 kg
Clamping head 49E1	21.5 kg	21.5 kg

ACCESSORIES

- 8002412008 Extension 1100 mm (for pulling with gaps between 940 mm and 2000 mm)
- 8002412016 Extension 800 mm (for pulling with gaps between 940 mm and 1700 mm)
- 8127900001 Hose set 24.12, length 5m (for 8129900006)
- 9002009058 Socket wrench (for 8129900007)
- 8128930001 Running gear

Spacer jaw sets – 4 pieces

(to adjust clamping heads to rail type)

- 8002412011 Spacer jaw set form B for 49E1, 54E3, 46E3
- 8002412012 Spacer jaw set UIC54E, 54E1
- 8002412013 Spacer jaw set 60E1

Spacer jaw sets for other rail types on request.

* Torque for drive gear pump: required constant torque 25 Nm



ROSTRESS 24.70 Hydraulic Rail Stressor



The modular concept for generating neutral rail stress during welding and stressing work.

THE ADVANTAGES. YOUR BENEFITS.

Flexibility due to configurable modular system

- Standard cylinder, aluminium
- Hollow piston cylinder
- 3rd rail module for use at conductor rails

Fast installation and dismantling independent of clearance gauge

- Safe and easy operation
- Low weight of individual components
- Simple fitting, no lifting gear required
- Can be driven over when fitted in some instances

Hydraulic power supply

- Two-stage hand pump
- Dual hydraulic power pack 76.02 with combustion engine
- Dual hydraulic power pack 76.20 E³ with ROBEL battery
- For operation with low-pressure units (e.g. road/rail excavator)

For further information see Power/Lighting.

SPECIFICATION	Standard	Hollow piston cylinder	3 rd Rail
Tensile force	700 kN	700 kN	700 kN
Compressive force	400 kN	/	/
Stroke Aluminium	380 mm	200 mm	380 mm
Dimensions (L x W x H) when installed	2650 x 1120 x 375 mm	2500 x 1010 x 375 mm	3070 x 930 x 375 mm
Drawbar system	Standard	Threaded rods	Standard/yoke in work area
Drawbar length	from 1500 mm	2000 mm	Work area 850 mm
Installation independent of clearance gauge	yes	yes	no
Threaded rods and drawbars can be combined in any order			
Weight			
Heaviest individual component	33 kg	33 kg	33 kg
Hand pump	23 kg	23 kg	23 kg
Hydraulic power pack 76.02 Dual	from 47 kg	from 47 kg	from 47 kg
Hydraulic power pack 76.20 E ³ Dual	from 38 kg excl. battery	from 38 kg excl. battery	from 38 kg excl. battery
Battery 800 Wh	6.3 kg	6.3 kg	6.3 kg
Hydraulic power packs optionally with hand pump for emergency operation: +3 kg			
Pressure intensifier	15 kg	15 kg	15 kg

Maximum flexibility



Zum Betreiben von ROSTRESS 24.70
siehe ROPOWER 76.02/76.20 E³

- 5087900005 Hose set for rail stressor with lashing protection (increased safety). From version 8, emergency pressure relief at distributor block as standard
- 5087900006 Hose set for operating a second rail stressor
- 5088930003 Distribution block

Optional accessories:

Supports (for installation independent of clearance gauge for various rail profiles)

- 8747900004 90RE, 136RE, 140RE, BV50
- 8747900005 115RE, 119RE, 132RE
- 8747900008 60E1, 49E1, 54E3, AS47, AS50, AS53, AS60, R65, UNI60, 50E4

Supports for other rail profiles on request.

- 8748100008 Lifting beam
- 8749910007 Piston rod guard (for standard aluminium cylinder 380 mm)
- 8748960300 Transport box

Accessories for version with hollow piston cylinder:

- 8741850009 Drawbar 1.6 m
- 8741850007 Drawbar 2.0 m
- 8741850260 Drawbar 3.0 m
- 9001300269 Connecting sleeve

Accessories for version with aluminium cylinder:

- 8740310001 Drawbar 0.6 m
- 8740320001 Drawbar 1.2 m
- 8740300009V Drawbar 1.5 m
- 8740350001 Drawbar 3.2 m
- 8741851005 Drawbar 4.0 m



Lifting beam - 8748100008



Rail supports for use independent of clearance gauge



Piston rod guard for standard version with aluminium cylinder

ROCARRY 25.16 Rail Carrying Roller



ROCARRY 25.16 - 8002516001 (without carrying handles)



ROCARRY 25.16 - 8002516003 (with carrying handles)

For moving long-welded rails.

Robust steel design with maintenance-free ball bearings

SPECIFICATION

Max. load	0.7 t	0.7 t	0.7 t	0.7 t
Max. width of rail foot	170 mm	170 mm	230 mm	170 mm
Leg bent 50 mm downwards	no	yes, inside dimension 170 mm	no	yes, inside dimension 220 mm
Dimensions (L x W x H)	from 256 x 130 x 120 mm			
Weight	from 7.3 kg			



ROLAX 26.01 – 9802601200

To remove stresses from the rail and establish the nominal length of the rail by striking the rail head on both sides.

THE ADVANTAGES. YOUR BENEFITS.

Precise & powerful

- Height-adjustable hammers
- Continuously adjustable number of hammer strikes via gas activation

User-friendly

- LED lighting on both sides perfectly illuminates the work area
- Can be operated in both directions
- Carrying handles and lifting lugs

Safe

- Easily lockable guard in work area
- Engine can be started only if the guard is in place
- Emergency stop button and deadman's brake on both sides

Low-maintenance

- Centrifugal clutch



Hammers with lockable guard screen

SPECIFICATION

4-stroke engine	Honda GX200
Output	4.1 kW
Dimensions (L x W x H)	2660 x 1240 x 970 mm
Gauge	1435 mm
Weight	from 250 kg
Number of strikes	continuously adjustable, 45 – 60 strikes per rail



ROHEAT 66.01 Version 07 – 669900007

**To create the nominal rail temperature for length compensation before welding.
Available in different versions.**

THE ADVANTAGES. YOUR BENEFITS.

Powerful and precise

- High heat output due to use of liquefied gas
- Low gas consumption with constant heat output due to optimised burner position and adapted guard plates.
- Precise positioning due to graduated setting of burner distance
- Heat protection of track due to adjustable burner distance

Safety for operator and machine

- Valves and coupling suitable and tested for the application required in the liquid phase and for operation
- Optimised securing of gas cylinder with lashing straps or chains
- Manual torch holder
- Controlled gas supply during ignition due to isolating valve at burner unit
- Fire extinguisher included
- Deadman's brake (EN13977)

Ergonomics and simplified logistics

- Ergonomic due to height-adjustable handles
- Folding handles
- Removable baffle at version 05 and 06
- Frame in light-weight construction
- Standard-compliant carrying due to carrying handles on the burner unit and frame (EN13977)
- Easy transport and higher ergonomics with divisible design

Flexibility

- Various cylinder neck sizes of Ø 115 mm, Ø 220 mm or Ø 265 mm
- Optional connecting bar for parallel use of two rail heaters
- Two-cylinder version for propane cylinders with riser

SPECIFICATION	Version 05	Version 06	Version 07
Dimensions (L x W x H)	3400 x 730 x 890 mm	3400 x 730 x 890 mm	3220 x 735 800 mm
Dimensions transport (L x W x H)	2300 x 730 x 890 mm	2300 x 730 x 890 mm	1355 x 735 x 640 mm (Frame) 1560 x 635 x 295 mm (Burner unit)
Divisible	Removable baffle	Removable baffle	Frame and burner unit divisible
Weight without gas cylinder	92 kg	96 kg	from 86 kg
Weight burner unit			from 34 kg
Weight frame			from 52 kg
Gas cylinder	1 propane cylinder from 33 kg	2 propane cylinders 10.5 kg each	1 propane cylinder from 33 kg

ACCESSORIES

Connecting bars to connect two units

- 8668980004 Connecting rods for version 07, different gauges available
- 8668980003 Connecting bar, gauge 1000/1435/1520 mm for version 05 & 06
- 8911164032 Outrigger, isolated with weight



WRENCHING CLIPPING



ROMPACT 30.09 Portable Impact Wrench

For tightening and loosening nuts and sleeper and fishplate bolts.

THE ADVANTAGES. YOUR BENEFITS.

Powerful and robust

- Rugged and powerful with easy operation
- Easy to handle in every work position
- 1-inch square drive
- Clockwise/counter-clockwise rotation
- Vibration-damped handles
- With centrifugal clutch



ROMPACT 30.09 - 8099900005

SPECIFICATION

Drive	2-stroke petrol engine
Type	Husqvarna
Output	2.7 kW
Torque	2000 Nm, depending on joint hardness
Dimensions (L x W x H)	670 x 450 x 300 mm
Weight	from 20.9 kg
Weight of one socket	from 1.5 kg

ACCESSORIES

Sockets

Other sockets available on request.

Hexagonal

- 9871033313 AF 30
- 9871033309 AF 32
- 9002501223 AF 34
- 9871033314 AF 35
- 9871033311 AF 36
- 9871033315 AF 38
- 8098950100 AF 39 Special 230 mm
- 9871033391 AF39
- 9871033304 AF 41
- 9871033308 AF 42
- 9002501224 AF 46

Rectangular

- 9871033317 rect. 18 x 26
- 9800308006 rect. 20,5 x 24,5
- 9871033302 rect. 21 x 28
- 9871033305 rect. 30 x 22

Square

- 9871033303 SQ 19 x 19/17 x 17
- 9871033318 SQ 21 x 21
- 9871033306 SQ 22 x 22
- 9871033319 SQ 24 x 24

Special sockets

- 8003062130 Combined socket AF 41 & rect. 21 x 28



Hexagonal socket



Rectangular socket



Square socket

Drill adapter/drill bit

Other drill bits available on request.

- 8099910001 SDS Plus chuck adapter

Sleeper drill bits

- Max. drilling depth 150 mm with SDS Plus adapter
- 9002501808 Ø 14 mm
- 9002501809 Ø 16 mm
- 9002501810 Ø 18 mm
- 9002501811 Ø 20 mm
- 9002501812 Ø 22 mm



Sleeper drill bit with SDS Plus adapter

Miscellaneous

- 8003009006 Extension 180 mm/1" adapter
- 8003009005 Extension 330 mm/1" adapter
- 9909992145 O-ring, circlip to secure socket
- 9900070056 Cylindrical pin Ø 5 mm to secure socket

Adapter for tools for sleeper renovation (see ROWRENCH 30.83):

- 8338930003 Adapter square 24 mm to 1 inch
- 8338930004 Adapter 1 inch to square 24 mm

ROMPACT 30.10 Portable Impact Wrench

For tightening and loosening nuts and sleeper and fishplate bolts.

THE ADVANTAGES. YOUR BENEFITS.

Compact and robust

- Centrifugal clutch and change gear
- 1-inch square drive

Ergonomic and flexible

- Adjustable speed
- Low-vibration operation



ROMPACT 30.10 - 835990006

SPECIFICATION

Drive	2-stroke petrol engine
Output	1.57 kW
Max. torque	1700 Nm, depending on joint hardness
Vibration damping	Yes
Dimensions (L x W x H)	700 x 390 x 360 mm
Total weight	from 21.6 kg
Socket weight	from 1.5 kg

ACCESSORIES

Sockets

Other sockets available on request.

Hexagonal

- 9871033313 AF 30
- 9871033309 AF 32
- 9002501223 AF 34
- 9871033314 AF 35
- 9871033311 AF 36
- 9871033315 AF 38
- 8098950100 AF 39 Special 230 mm
- 9871033391 AF39
- 9871033304 AF 41
- 9871033308 AF 42
- 9002501224 AF 46

Rectangular

- 9871033317 rect. 18 x 26
- 9800308006 rect. 20,5 x 24,5
- 9871033302 rect. 21 x 28
- 9871033305 rect. 30 x 22

Square

- 9871033303 SQ 19 x 19/17 x 17
- 9871033318 SQ 21 x 21
- 9871033306 SQ 22 x 22
- 9871033319 SQ 24 x 24

Special sockets

- 8003062130 Combined socket AF 41 & rect. 21 x 28



Drill adapter/drill bit

Other drill bits available on request.

- 8099910001 SDS Plus chuck adapter

Sleeper drill bits

- Max. drilling depth 150 mm with SDS Plus adapter
- 9002501808 Ø 14 mm
- 9002501809 Ø 16 mm
- 9002501810 Ø 18 mm
- 9002501811 Ø 20 mm
- 9002501812 Ø 22 mm

Miscellaneous

- 8003009006 Extension 180 mm/1" adapter
- 8003009005 Extension 330 mm/1" adapter
- 9909992145 O-ring, circlip to secure socket
- 9900070056 Cylindrical pin Ø 5 mm to secure socket

Adapter for tools for sleeper renovation (see ROWRENCH 30.83):

- 8338930003 Adapter square 24 mm to 1 inch
- 8338930004 Adapter 1inch to square 24 mm



MAXIMUM PERFORMANCE. ACCURATE DOCUMENTATION.



ROWRENCH 30.73PSM - 7739900002
Travelling gear - 5018200006
Outrigger - 7730800001

**Exemption
from the 1% rule**
DB RIL824.5050

THE ADVANTAGES. YOUR BENEFITS.

Time saved, quality increased

- Measurement with integrated torque wrench
- Machine immediately ready to use due to measurement with integrated torque wrench
- No checking of measurement required
- The torque is measured electronically at the wrenching motor and not calculated from the hydraulic pressure
- Actuation by means of 2 push-buttons (unscrew/screw down)

Intelligent calibration

- Self-learning and intuitive controller with target/actual value comparison
- Constantly high wrenching precision
- No manual recalibration on the worksite
- Annual check in own workshop or anywhere when on the move

Minimised labour costs, wrenching made easy

- Faster wrenching
- High tightening/loosening torque for rusty rail fastenings and for dismantling screws without stalling the engine
- Selection of track type at the push of a button
- Height-adjustable and foldable guide handles

Work result fully documented

- Recording of each wrenching process
- Captures wrenching frequency, kilometre marking and wrenching mode
- Recognises defective screws and damaged threads
- Output of coded results (log) via USB
- Verifiable performance protects against future claims
- Height-adjustable and foldable guide handles
- GPS link for precise information of working position to optimise reporting

High operational safety

- Aluminium covers
- Low downtime
- Fewer spare parts and repairs
- No capital tied up in replacement machines



Control unit with colour display

PRECISION WRENCHING

The next generation.

The fully hydraulic precision power wrench ROBEL ROWRENCH 30.73PSM tightens and loosens every screw connection precisely to the specified torque. The combination of high spindle speed and high loosening torque accelerates the wrenching process, makes work easier and reduces costs. Independent of external effects, the ROWRENCH30.73PSM documents consistently accurate measuring results which are captured exactly where they are taken. Control measurements and reworking are no longer required.

FOCUS ON THE OPERATOR

Symbiosis of ergonomics and efficiency

Ergonomic design ensures the long-term retention of the workforce. Employees benefit from better health, companies benefit from greater efficiency.

The ROBEL ROWRENCH 30.73PSM provides

- Maximum operator safety and convenience
- Increase in work quality

due to:

- Operator posture minimising discomfort
- Weight less than 100 kg
- Optimum machine balance
- Height-adjustable guide handles
- Safe 2-hand control



SPECIFICATION

Drive air-cooled	4-stroke petrol engine
Type	Honda GX200
Output	4.3 kW
Spindle speed: adjusts automatically	max. 205 rpm
Loosening torque	max. 900 Nm Loosening torque
Tightening torque	max. 500 Nm Tightening torque
Torque base setting as per DB RIL824.5050	up to 250 Nm
Dimensions (L x W x H)	
Transport position	1530 x 500 x 670 mm
Working position	2090 x 650 x 960 mm
Weight of machine	from 92 kg
Weight, monorail trolley / outrigger	from 7 kg
Weight, transverse bogie	from 28 kg

OPTIONS

1. Travelling gear

- 5010820006 Monorail trolley (GX 200 engine, electric)
- 7730800001 Outrigger, gauge 1435 mm incl. counterweight and rail fastening (GX 200 engine, electric)
- 7730750001 Transverse bogie, gauge 1435 mm (60 mm height above top of rail, plastic rollers) for transverse bogie without cant



Other travelling gears and gauges available on request.

2. Extensions

for transverse bogie without cant:

- 7738950140 Transverse bogie, split, articulated sockets

3. Sockets

(see Socket Overview for other sockets)

- 8003062001 Hex AF 39 split, articulated socket with ejector
- 8003062017 Hex AF 41 split, articulated socket with ejector
- 8003062005 Rectangular 28 x 21, split, articulated socket



ACCESSORIES

USB stick

- 9008000057 Spare USB stick

Torque meter attachment

- 7738950110 for annual calibration

Torque wrench

- 9002501350 for annual calibration (set to 250 Nm)

Oil change kit

- 7739910005 for easy change of hydraulic oil

Travelling gear with rubber wheels

- 8320820001 for working in areas with slab track

Transport frame

- 7738960001 universal setting (30.73, 30.82RKS, 30.82HKS, 30.82HKS E³, 30.83)

Toolbox

- 8328980100 toolbox for fitting on transverse bogie

Cover

- 9000100065 for weather protection



Transport frame - 7738960001



Hood-shaped cover


ROWRENCH 30.77 – 5779900301

For simultaneous tightening or loosening of up to 8 rail fastenings in one step.

THE ADVANTAGES. YOUR BENEFITS.

- Low personnel costs - only one operator is required
- Automated and fast wrenching
- Selection of track type via control panel on the machine
- Detects the screw and positions the wrenching spindle automatically
- With automatic spring clip insertion and extraction (W type track)
- Safe operation thanks to user-friendly remote control
- Dead man's switch for transfer travel and working mode
- Constantly high wrenching precision
- Reacts to torque and regulates the spindle motor speed
- Recording of wrenching results, torque and GPS data
- Self propelled by an electric generator
- Machine designed by approval purposes according to EN 15746 (superstructure rail road machines)
- Removing the generator quick and easy to archive weight reduction while inserting and removing rails with a rail-road excavator
- Easier maintenance due the possibility to remove the generator

SPECIFICATION

Track gauge	1435 mm
Working speed	tightening: up to 450 m/h; loosening up to 720 m/h (without spring clip insertion/extraction)*
	tightening: up to 350 m/h; loosening up to 450 m/h (with spring clip insertion/extraction)*
Speed	up to 19 km/h (transfer travel), up to 5 km/h (with remote control)
Torque	
Tightening torque	max. 350 Nm
Loosening torque	max. 900 Nm
Smallest radius	approx. 75 m
Sleeper spacing	approx. 600 mm
Sleeper hollow space	up to 20 mm
Dimensions (L x B x W)	
Working Position (with roof folded up)	4720 x 2320 x 2900 mm
Transport Position (with roof folded in)	4720 x 2320 x 2400 mm
Weight with generator	approx. 5.3 t
Weight without generator	approx. 4.6 t

*depending on the type of superstructure, its condition, required tightening torque, etc.

**RELIABLE.
LOW MAINTENANCE.
POWERFUL.**



ROWRENCH 30.82RKS – 8059900025

For tightening and loosening nuts and sleeper, hook and fishplate bolts.

THE ADVANTAGES. YOUR BENEFITS.

Fast wrenching. Optimum result.

- Intuitive setting of torque via potentiometer
- High throughput due to high spindle speed
- Selection between two gears depending on stiffness of screw
- Automatic detection of stiffness when unscrewing avoids motor stop

User-friendly and ergonomic

- Large-area illumination of working area through LED lighting on the guide handle
- Continuously height-adjustable and foldable guide handles
- User-friendly control unit with intuitive and multilingual menu navigation
- Ergonomic arrangement of operating elements
- Choice between hand or foot operation when changing rotational direction
- User-friendly push-button
- Low weight

Robust construction. Minimised maintenance costs.

- Long service life due to no-maintenance electronic disc clutch
- Long component life and high-quality workmanship
- High flexibility due to parted screw spindle
- Use of one-piece and articulated sockets possible
- Protection of the control unit and wiring harness due to robust aluminium cover

Wide range of applications. Flexible use.

- Work possible without outrigger due to low centre of gravity of the machine
- Tensioning and loosening of all wrenched types of track
- Quick-change chuck for fast change of sockets
- Easy calibration at the construction site



SPECIFICATION

Drive	4-stroke petrol engine
Type	Honda GX200
Output	4.3 kW
Spindle speed	
No-load speed	200 rpm
Load speed	70 rpm
Adjustment range for screwing in and out	
No-load speed	420 to 950 Nm
Load speed	150 to 350 Nm
Loosening torque	max. 1000 Nm
Tightening torque (booster)	max. 1000 Nm
Dimensions	
Transport position (L x W x H)	1490 x 707 x 800 mm
Working position (L x W x H)	1950 x 707 x 800 mm
Machine weight	from 93 kg
Weight, monorail trolley/outrigger	from 7 kg/from 3.5 kg
Weight, transverse bogie	from 28 kg

INDIVIDUAL CONFIGURATION OPTIONS

1. Travelling gear

- 5010820006 Monorail trolley
- 8003082012 Outrigger, gauge 1435 mm
- 7730750001 Transverse bogie without cant
Gauge 1435 mm
(60 mm height above top of rail, plastic rollers)
- 8003082077 Transverse bogie with cant
Gauge 1435 mm (steel rollers)

Other travelling gears and gauges on request.



Transverse bogie

2. Extensions

for monorail trolley:

- 5018950001 straight extension for split sockets
- 5018950005 crowned extension for one-piece rigid sockets

for transverse bogie without cant:

- 5018950007 straight extension for split sockets
- 5018950010 crowned extension for one-piece rigid sockets

for transverse bogie with cant:

- 5018950008 straight extension for split sockets
- 5018950011 crowned extension for one-piece rigid sockets



Extension

3. Sockets

For other dimensions see separate overview.

One-piece rigid design:

- 8003082038 Hex AF 38
- 8003082036 Hex AF 39
- 8003082071 Hex AF 41
- 9871033070 Rectangular 28 x 21
- 9871032123 Square 23 x 23
- 9871032427 Square 27 x 27
- 9871033072 Rectangular 24.5 x 20.5

Split articulated design:

- 8003062001 Hex AF 39
- 8003062017 Hex AF 41
- 8003062005 Rectangular 28 x 21



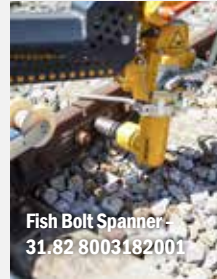
One-piece rigid socket



Split, articulated socket

ACCESSORIES

8003182001 Fish Bolt Spanner 31.82
to release and fasten fishplate bolts



8328950130 Clip bolt removal socket for K-type track



8320820002 Travelling gear with rubber wheels for working in
areas with slab track



738960001 Transport frame (stackable)
universally adjustable for ROBEL power wrenches
of type 30.73, 30.82 RKS, 30.83, 34.01



8328900004 Socket holder at head gear
to fit sockets near spindle

9000100065 Hood-shaped cover for weather protection



8321570120V Additional carrying handles,
2 additional support points



8058930002 Transverse bogie support
To place the transverse bogie on the machine
longitudinally

8058930003 Engine support
Additional connection between speed change
gearbox and engine base plate for even higher
stability of the machine



8869900006 Torque meter 86.12+ to calibrate the machine

WRENCHING WITH PROVEN TECHNOLOGY.



ROWRENCH 30.82HKS – 8329900079
 Travelling gear – 5010820006
 Outrigger – 8003082012
 Extension – 5018950005

For tightening and loosening nuts and sleeper, hook and fishplate bolts.

THE ADVANTAGES. YOUR BENEFITS.

Reliable wrenching, precise results.

- Uniform repeat wrenching due to precisely adjustable torque
- Checking of torque on pressure gauge display
- Selection between two gears depending on stiffness of screw
- Fast changeover to maximum torque without changing the torque setting

Robust construction, minimum maintenance costs

- Long service life due to ROBEL high-performance clutch
- Low wear due to permanent oil lubrication of clutch in oil bath

Ergonomic use

- Low weight and compact design with folding guide handles
- Large field of view due to LED lighting of work area
- Height-adjustable guide handles

Flexible use

- Work possible without outrigger due to low centre of gravity
- Tensioning and loosening of all wrenched types of track
- Quick-change chuck for fast change of sockets

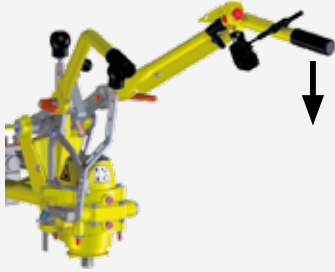
SPECIFICATION

Drive	4-stroke petrol engine	4-stroke petrol engine	Electric motor	4-stroke diesel engine
Type	Honda GX200	Honda GX270	400 V, 50 Hz	Hatz 1B20
Output	4.3 kW at 3600 rpm	6.3 kW at 3600 rpm	4 kW at 2880 rpm	3.4 kW at 3800 rpm
Spindle speed				
No-load speed, max.	200 rpm	190 rpm	152 rpm	200 rpm
Load speed	71 rpm	67 rpm	55 rpm	71 rpm
Adjustable tightening torque	from 140 to 300 Nm	from 140 to 300 Nm	from 140 to 300 Nm	from 140 to 300 Nm
Loosening torque				
(momentary up to)	up to 1000 Nm (1200 Nm)	up to 1000 Nm (1200 Nm)	up to 1000 Nm (1200 Nm)	up to 1000 Nm (1200 Nm)
Dimensions (L x W x H)	1900 x 600 x 600-800 mm	1950 x 592 x 600-800 mm	1910 x 475 x 600-800 mm	1900 x 600 x 600-800 mm
Transport position (L x W x H)	1490 x 600 x 575 mm	1542 x 592 x 575 mm	1500 x 475 x 575 mm	1490 x 600 x 575 mm
Conversion Kit 72.01 usable	yes	no	no	no
Weight	from 93 kg	from 105 kg	from 116 kg	from 105 kg

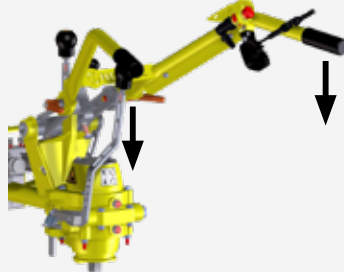
CONFIGURATIONS

1. CHOICE OF DRIVES (see specification)
2. CHOICE OF HEIGHT-ADJUSTABLE GUIDE HANDLES

a. For depressing on right-hand side only



b. For depressing on both sides



3. CHOICE OF TRAVELLING GEAR AND GAUGE

a. **Monorail trolley with outrigger**

55010820006 Monorail trolley (GX200 engine)

5010820007 Monorail trolley (GX270 engine, electric, Hatz)

8003082012 Outrigger, gauge 1435mm (GX200/GX270 engine)

7730800001 Outrigger, gauge 1435mm incl. counterweight and rail fixing (GX200/GX270 engine, electric, Hatz)

b. **Transverse bogie, four wheels**

7730750001 Transverse bogie, gauge 1435 mm (60 mm height above top of rail, plastic rollers)

c. **Transverse bogie with cant**

8329910018 Transverse bogie with cant
Gauge 1435 mm (height above top of rail 100 mm, insulated steel rollers without machine locking bolts)

Other gauges on request.



4. EXTENSIONS

for monorail trolley:

5018950001 Extension for split, articulated sockets

5018950005 Extension for one-piece rigid sockets

for transverse bogie without cant:

5018950007 Extension for split, articulated sockets

5018950010 Extension for one-piece rigid sockets

for transverse bogie with cant

5018950008 Extension for split, articulated sockets

5018950011 Extension for one-piece rigid sockets



CONFIGURATIONS

5. CHOICE OF SOCKETS

- a. One piece**
- 8003082036 Hex AF 39 one-piece rigid socket with ejector
 - 8003082071 Hex AF 41 one-piece rigid socket with ejector
 - 9871033070 Rectangular 28 X 21 one-piece rigid socket
- b. Articulated**
- 8003062001 Hex AF 39 split, articulated socket with ejector
 - 8003062017 Hex AF 41 split, articulated socket with ejector
 - 8003062005 Rectangular 28 x 21 split, articulated socket



See overview for other sockets.

ACCESSORIES

Fish bolt spanner
8003182001 31.82 one-sided design; without socket

Clip bolt removal socket
8328950130 for K-type track

Travelling gear with rubber wheels
8320820001 for working in areas with slab track

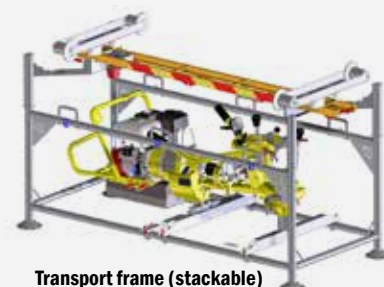
Socket holder at head gear
8328900004 to fit sockets near spindle

Cover
9000100065 for maximum weather protection

Torque Meter
8869900006 Torque meter 86.12+ to calibrate the machine

7738960001 Universally adjustable transport frame (30.73, 30.82RKS, 30.83, 34.01)

8321570120V Carrying handles provide 2 additional support points





ROWRENCH 30.83 – 833990009

For all drilling and wrenching tasks that arise in track construction. Particularly suitable for dowel repairs.

THE ADVANTAGES. YOUR BENEFITS.

Reliable dowel repair

- Flexible use on track, switches and other areas
- Checking of torque on pressure gauge display
- Clockwise/counter-clockwise rotation
- With engine stop

Robust construction, minimum maintenance costs

- Strong, robust design
- Long service life due to ROBEL high-performance clutch
- Low wear due to permanent oil lubrication of clutch in oil bath

Ergonomic use

- Easy operation in all work positions
- Large field of view due to LED lighting of work area
- Folding and height-adjustable guide handles
- No transfer of the wrenching torque to the operator

Optional: with depth stop available

SPECIFICATION

Drive	4-stroke petrol engine	Electric motor
Type	Honda GX270	400V, 5 Hz
Output	6.3 kW bei 3600 rpm	4.0 kW bei 2870 rpm
Spindle speed		
No-load speed	189 rpm	150 rpm
Load speed	67 rpm	55 rpm
Max. drill bit diameter	38 mm	38 mm
Max. drilling depth	180 mm	180 mm
Travelling gear	Monorail trolleys with outrigger available for all gauges	
Dimension (L x W x H)	1950 x 590 x 600-800 mm	2025 x 650 x 600-800 mm
Transport position (L x W x H)	1540 x 590 x 575 mm	1660 x 590 x 600 mm
Weight	from 126 kg	from 146 kg

ACCESSORIES

Wooden sleeper renovation

- 1) 8910839015 Taper sleeve MK4
- 2) 9002501278 Drill bit Ø 43 mm, MK4
- 3) 8003083002 Tool holder for tools with square drive
- 4) 9891089217 Cutter for wooden sleeper
- 5) 9891089220 Countersink for wooden sleeper, sleeper dowel 15
- 6) 9891089219 Screw tap for wooden sleeper dowel 15
- 7) 9891089227 Dowel turn-in mandrel for wooden sleeper dowel 15
- 8) 9891085161 Turn-in tool no. 5 (spiral dowel no. 5)
- 9) 8003083003 Adapter with chuck for sleeper drill bit (wood, 96.01)
- 10) 8003083006 Depth stop



Concrete sleeper renovation

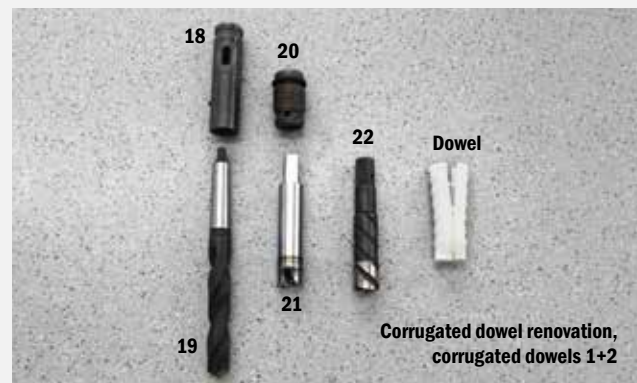
- 11) 8910839010 Taper sleeve MK3
- 12) 9002501512 Drill bit Ø 29 mm, MK3
- 13) 8003083002 Tool holder for tools with square drive
- 14) 8333550110 Cutter RD29 for concrete sleeper, sleeper dowels 9+13
- 15) 9891089288 Left-hand extractor for concrete sleeper, sleeper dowels 9+13
- 16) 9891089225 Dowel extraction mandrel for concrete sleeper, sleeper dowels 9+13
- 17) 9891089226 Dowel turn-in mandrel for concrete sleeper, sleeper dowels 9+13
- 17a) 8910839204 Drill bit Ø 38 mm



We offer suitable adapters for the use of the accessories in combination with our impact wrenches ROMPACT 30.09, 30.10 & 30.20 E³.

Corrugated dowel renovation

- 18) 8910839010 Taper sleeve MK3
- 8910839015 Taper sleeve MK4
- 8003062052 Socket, hex AF 39 SRAUG
- 19) 9002501519 Drill bit Ø 38 mm, MK4
- 9002501548 Drill bit Ø 27 mm, MK3
- 9002501513 Drill bit Ø 30 mm, MK3
- 20) 8003083002 Tool holder for tools with square drive
- 21) 8333550120 Cutter RD38 for wooden sleeper or corrugated dowels 1+2
- 22) 9891089218 Left-hand extractor for wooden sleeper, corrugated dowels 1+2



Fish bolt spanner

- 8003182001 31.82 to release and fasten fishplate bolts
- 5010820007 Monorail trolley
- 8003082012 Outrigger, gauge 1435 mm incl. counter weight and rail fixing
- 8330750003 Transverse bogie gauge 1435 mm
Other gauges on request.
- 7738960001 Transport frame (stackable), universally adjustable for ROBEL power wrenches of type 30.73, 30.82RKS, 30.82HKS (E³), 30.83, 34.01
- 900100065 Hood-shaped cover with eyes for maximum weather protection
- 8003062052 Socket, hex AF 39 SRAUG with one output; without socket



ROBOLT 31.82 Fish Bolt Spanner

To release and fasten fishplate bolts.

- In combination with the 30.82HKS, 30.82HKS E³, 30.82RKS, 30.83
- Weight from 8.8 kg

ACCESSORIES

Sockets

8003062062	Hex AF 38
8003062052	Hex AF 39
8003062058	Hex AF 41
8003062065	Hex AF 42

Distances

8362700002	Distance, required for transverse bogies with cant (40 mm)
8362700001	Distance 140 mm, required for transverse bogies with cant (40 mm)



ROTORQUE 86.12+ Torque Meter

To set and check the torque of power wrenches.

By layering the disc springs, different wrenching torques can be simulated, e.g. track old/new, W-type track rail clip 14 old/new, etc.

- Fastening on track with clamping screw
- Independent of clearance gauge
- Measuring range 150 to 450 Nm
- 700 x 305 x 250 mm
- Weight from 24.8 kg



**FAST AND PRECISE CLIPPING.
FC, FCX AND FE CLIPS.**



ROCLIP 34.01 with Sleeper Lifting Unit – 8259900030
Transverse bogie – 8259900008

For inserting and extracting Fastclip clip fasteners in new construction and maintenance.

THE ADVANTAGES. YOUR BENEFITS.

Wide range of applications

- Various versions for Fastclips of types FC, FE and FCx
- Removes even heavily corrodes clips

High throughput

- Fast changeover without tools between insertion and extraction mode
- Excellent ergonomics due to optimised centre of gravity and height-adjustable handles
- Optimum view of work area due to LED lighting

Easy operation

- Intuitive start of clipping using the push-button on the handle
- Short set-up time due to simple adjustments

Optimum results

- Protection of insulators due to precise adjustment of the patented clipping tool
- No follow-on costs from replacement of damaged insulators
- Easy and fast lifting of low-lying sleepers (option)



ROCLIP 34.01 without Sleeper Lifting Unit – 8259900029



Detail of sleeper lifting equipment



Detail of clipping module
8259900030

SPECIFICATION

Drive	4-stroke petrol engine	4-stroke petrol engine
Type	Honda GX200	Honda GX200
Output	4.3 kW	4.3 kW
Fastclip type	FC	FC/FCx/FE
Machine weight		
Without sleeper lifting unit	from 134 kg	from 163 kg
With sleeper lifting unit	from 155 kg	from 170 kg
Weight, transverse bogie	from 46 kg	from 46 kg
Dimensions (L x W x H)	1950 x 620 x 1010 mm	1950 x 650 x 1010 mm

Other track gauges and engine variants on request.

ACCESSORIES

Clipping tools:

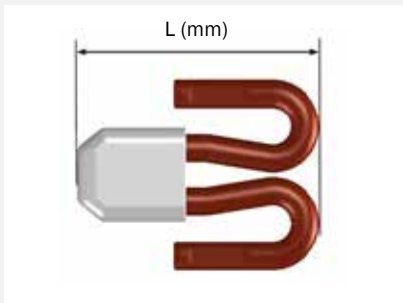
Clip extraction

- 8254220009V Extraction tool, smooth
- 8254220019V Extraction tool with stop
- 8254220013V Extraction tool without stop



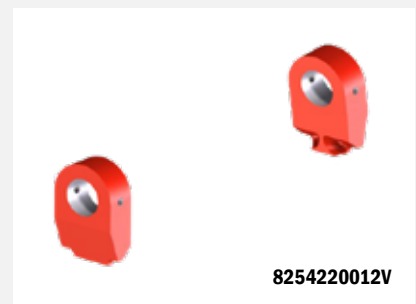
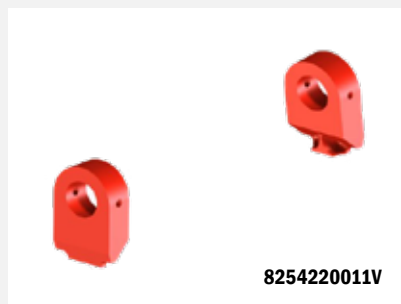
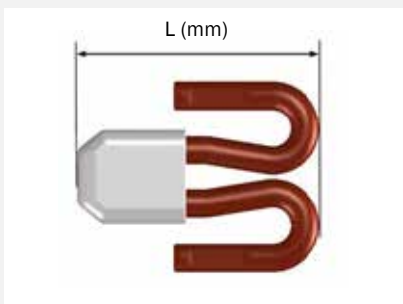
Clip insertion

- For machine without sleeper lifting unit
- 8254220007V Insertion tool for clip length (L) 125 mm
- 8254220008V Insertion tool for clip length (L) 135 mm



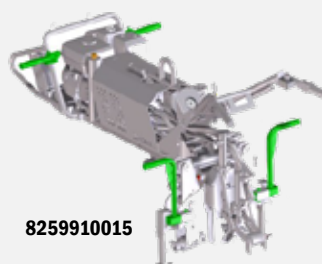
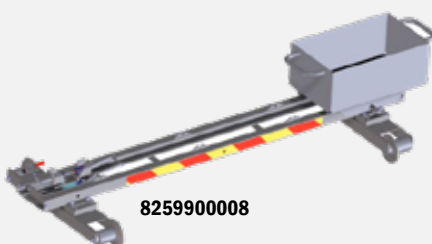
Clip insertion

- For machine with sleeper lifting unit
- 8254220011V for clip length (L) 135 mm
- 8254220012V for clip length (L) 125 mm



Other ACCESSORIES

- 8259900008 Transverse bogie with toolbox 1435 mm (other versions on request)
- 8259910015 Additional carrying handles (only for FC/FCx/FE machine)
- 9000100065 Hood-shaped cover



ROCLIP 34.02 Modular Clipping Machine



ROCLIP 34.02
 Base frame – 8259900068
 E-clip head – 8254200031
 BLDC drive unit – 8759901001
 Transverse bogie – 8259900008
 2300 Wh battery – 7839900001

For inserting and extracting clip fasteners in new construction and maintenance

THE ADVANTAGES. YOUR BENEFITS.

High work quality and optimum results

- Modular design: consisting of base frame, clip head, drive unit and transverse bogie
- Clip heads available for e-clips and Fastclips
- Fastclip head with sleeper lifting unit
- Choice between two different drive units
- Various tools for e-clips, PR clips, MkV clip & Fastclips
- Sleepers with hollow can be clipped
- High throughput
- Powerful
- Quick tool change between inserting and extracting
- Assembly and disassembly of the individual modules without the use of any tools
- Protection of insulators due to precise adjustment
- Simple logistics

User-friendly and safe

- Intuitive start of clipping using the push-button on the handle
- Excellent ergonomics due to optimised centre of gravity
- Optimum view of work area due to LED lighting
- Height-adjustable and foldable guide handles
- Optional: Transverse bogie with deadman's brake
- Two-hand operation protects the operator
- Mesh guard on e-clip head

SPECIFICATION Base frame

Weight	from 53 kg
Dimension in transport position (L x W x H)	1350 x 620 x 1080 mm
Dimension in working position (L x W x H)	1820 x 620 x 630 mm



Base frame

SPECIFICATION Clip head

	E-clip head	FC-clip head
Clip type	e-Clip, PR-Clip, MkV Clip	FC-Clip
Insertion force	34.4 kN	44.2 kN
Extraction force	34.4 kN	33.2 kN
Max. operating pressure	230 bar	230 bar
Sleeper lifting unit	no*	yes
Sleeper hollow	up to 20 mm possible	up to 50 mm possible
Weight	from 92.2 kg	from 62.1 kg
Weight incl. clipping tool	from 103.7 kg	from 70.4 kg
Dimension (L x W x H)	720 x 480 x 440 mm	430 x 650 x 680 mm

*e-clip head does not require any additional sleeper lifting unit

ACCESSORIES

e-clip tools

8254220028	Insertion tool for concrete sleepers
8254220029	Extraction tool for concrete sleepers
8254220034	Insertion tool for wooden sleeper
8254220035	Extraction tool for wooden sleeper

PR-clip tools

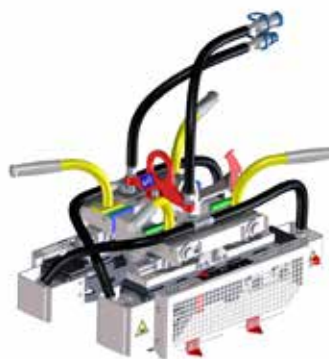
8254220030	Insertion tool
8254220031	Extraction tool

MKV-clip tools

8254220032	Insertion tool
8254220033	Extraction tool

FC-clip tools

8254220012V	Insertion tool for clip length 125 mm
8254220011V	Insertion tool for clip length 135 mm
8254220013V	Extraction tool without stop
8254220019V	Extraction tool with stop
8254220009V	Extraction tool, smooth



e-clip head



FC-clip head

SPECIFICATION Drive unit

	BLDC drive unit	Honda GX270 drive unit
Drive	BLDC electric motor	4-stroke petrol engine
Type		Honda GX270
Output	6.6 kW	6.3 kW
Max. operating pressure	230 bar	230 bar
Hydraulic oil filter	yes	yes
Weight (excl. 2300 Wh battery)	from 59 kg	from 83,4 kg
Dimension (L x W x H)	660 x 480 x 710 mm	870 x 650 x 660 mm

ACCESSORIES

For BLDC drive unit

7839900001	Battery 2300 Wh
7879900001	Charger
5039900003	Power supply
9000208017	Battery box for battery 2300 Wh



BLDC drive unit E³



Honda GX270 drive unit

SPECIFICATION **Transverse bogie**

Weight	from 48 kg
Dimension (L x W x H)	1950 x 750 x 260 mm
Track gauge	1435 mm

Other gauges available on request.

Optional: Transverse bogie with deadman's brake available



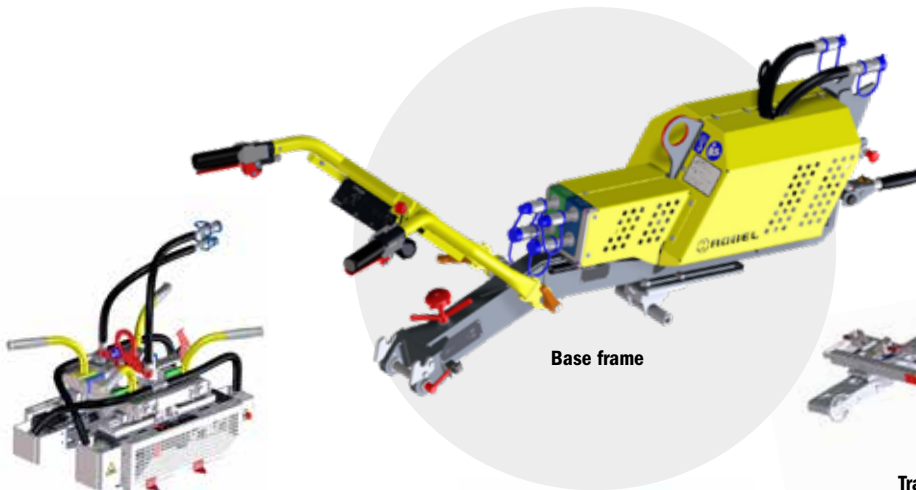
Transverse bogie



BLDC drive unit E³



Honda GX270 drive unit



Base frame



e-clip head



Transverse bogie



FC-clip head

ROCLIP 34.90 Clipping Device

Sleeper lifting unit
For manual lifting of sleepers with FC clips

SPECIFICATION

Length	1000 mm
Weight	from 8 kg



Extraction tool
For manual extraction of FC, FCx and FE clips

SPECIFICATION

Length	1000 mm
Weight	from 8 kg



Insertion tool
For manual insertion of FC, FCx and FE clips

SPECIFICATION

Length	1100 mm
Weight	from 10 kg



Insertion and extraction tool
For manual insertion and extraction of e-clips

SPECIFICATION

Length	1100 mm
Weight	from 10 kg



ROTOOL 35.01 Fish Bolt Spanner

Ratchet spanner for loosening and tightening fishplate bolts by rotating left and right with 2 lever arms.

SPECIFICATION

Length	730 mm
Weight	from 6.3 kg



ROTOOL 35.01 - 8003501001

ACCESSORIES

Spanner inserts

(2 off are required)

8910440135	AF 32
8910440137	AF 33
8910440139	AF 34
8910440145	AF 36
8910440149	AF 38
8910440151	AF 39

989104153	AF 41
8910440157	AF 42
8910440163	AF 45
8910440165	AF 46

Other spanner inserts available on request.



Insert AF 39

ROTOOL 35.02 Fish Bolt Spanner

For use with fishplates and for general wrenching work.

Light-weight, robust & flexible

- Ratchet spanner in partial aluminium design
- Sturdy coarse ratchet
- Inserts reversible for left-hand/right-hand rotation
- Locking with ball stop
- Socket adapter 1"



ROTOOL 35.02 - 9803502001

SPECIFICATION

Length	730 mm
Weight from	6.3 kg

ACCESSORIES

Sockets

(2 off are recommended)

9002501704	AF 36
9002501703	AF 38
9803502002	AF 39
9002501694	AF 41



Socket AF 36

ROTOOL 36.02/04 Socket Wrench

Wrenching manually with ease.

Socket wrench with T-handle for selective wrenching on the track.

Versions:

ROTOOL 36.02

9891042128 Rectangular 21 x 28 mm

ROTOOL 36.04

Flexible use

8953604001 Universal, 1" square adapter
can be combined with 1" sockets
(see ROMPACT 30.09/30.10/30.20 E³)



ROTOOL 36.04 - 8953604001

SPECIFICATION

	36.02	36.04
Dimensions (H x W)	980 x 750 mm	980 x 750 mm
Weight	from 6.3 kg	from 6.2 kg

ROTOOL 38.01 Support Lever

Installation aid which prevents plastic dowels from being turned out of their installation positions while the sleeper bolt is removed for the required maintenance work.

Versions:

8388220001 for 60E1

8388230001 for 49E1/54E3



ROTOOL 38.01 - 8388230001

SPECIFICATION

	for 60E1	for 49E1/54E3
Length	from 1500 mm	from 1500 mm
Width	200 mm	170 mm
Height	90 mm	90 mm
Rail profile	for 60E1	for 49E1/54E3
Weight	from 5.2 kg	from 5.2 kg

ROTOOL 37.04 Open-End Wrench

ROTOOL single 37.04

Versions

9800370005 Single open-end wrench AF 39, from 2.7 kg
Others available on request.

ROTOOL double 37.04

Versions

9800370001 Double open-end wrench AF 38/40, from 2.7 kg
9800370006 Double open-end wrench AF 39/41, from 2.7 kg
9891043944 Double open-end wrench AF 39/44, from 2.7 kg
9800370002 Double open-end wrench AF 40/42, from 2.7 kg
Others available on request.



One-piece sockets

In standard dimensions

For ROBEL power wrenches ROWRENCH 30.76, 30.82HKS, 30.82HKS E³, 30.82RKS (with spherical wrenching spindle adapter or spherical extension)

Hexagonal, one-piece, e.g. K-type track, with nut ejector

8003082039	Hexagonal AF 35 with ejector
8003082075	Hexagonal AF 36 with ejector
8003082038	Hexagonal AF 38 with ejector
8003082036	Hexagonal AF 39 with ejector

Rectangular, one-piece, e. g. W-type track, without ejector

9871033072	Rectangular 24.5 x 20.5
9871032618	Rectangular 26 x 18
9871033070	Rectangular 28 x 21
9871033020	Rectangular 30 x 20
9871033022	Rectangular 30 x 22

Square, one-piece, without ejector

9871033080	Square 19 x 19
9871033200	Square 21 x 21
9871032200	Square 22 x 22
9871032123	Square 23 x 23
9871032400	Square 24 x 24
9871032540	Square 25.4 x 25.4 (1")
9871032427	Square 27 x 27

Special sockets

9871033802	AF 39/21 x 28
8710302118	Square 1 1/8" oct
8328950130	Clip bolt removal socket
8323580240	Socket DHS 25/35

For fish bolt spanner ROBOLT 31.82

Wrenching part adapter hex 40, complete with ejector, pressure spring, O-ring and cylindrical pin

8003062016	Hexagonal AF 36 SRAUG
8003062062	Hexagonal AF 38 SRAUG
8003062052	Hexagonal AF 39 SRAUG
8003062060	Hexagonal AF 40 SRAUG
8003062058	Hexagonal AF 41 SRAUG
8003062065	Hexagonal AF 42 SRAUG
8003062072	Hexagonal AF 46 SRAUG
8003062073	Octagonal 1 11/16" oct.



Split and articulated sockets

Complete with attachment head, wrenching part, pressure spring, O-ring and cylindrical pin

For ROBEL power wrenches ROWRENCH 30.73PSM, 30.76, 30.82HKS, 30.82HKS E³, 30.82RKS, 30.83 (with straight wrenching spindle seat or straight extension)

Hexagonal, articulated, with nut ejector

8003062054	Hexagonal AF 30
8003062064	Hexagonal AF 32
8003062014	Hexagonal AF 33
8003062033	Hexagonal AF 34
9891368034	Hexagonal AF 35
8003062055	Hexagonal AF 36
8003062049	Hexagonal AF 38
8003062001	Hexagonal AF 39
8003062051	Hexagonal AF 40
8003062017	Hexagonal AF 41
8003062039	Hexagonal AF 42
8003062008	Hexagonal AF 44
8003062056	Hexagonal AF 46

Rectangular, articulated, without ejector

8003062047	Rectangular 24 x 20
8003062070	Rectangular 24.5 x 20.5
8003062059	Rectangular 26 x 18
8003062005	Rectangular 28 x 21
8003062046	Rectangular 30 x 20
8003062048	Rectangular 30 x 22

Square, articulated, without ejector

8003062043	Square 18 x 18
8003062004	Square 19 x 19
8003062061	Square 22 x 22
8003062040	Square 23 x 23
8003062044	Square 24 x 24
8003062063	Square 32 x 32

Special Sockets

8003082081	Socket for „Lindauerüberweg“, AF 39
8003062100	Combined socket AF 39 & rect. 21 x 28



LIFTING LOADING TRANSPORTING



ROALIGN 47.230

Hydraulic Track Lifting Machine with Slewing Device

ROLIFT 40.05 Rail Lifting Device

For lifting and fixing rails

- To be used for replacing rail pads and grooved base plates
- For all types of track used
- For rail profiles 49E1, 54E3 and 60E1, others available on request
- Further special track types on request
- Hand lever equipped with beyond-dead-centre safety device
- Additional locking hook

SPECIFICATION

Max. carrying capacity	0.75 t
Lifting height	4 different heights adjustable 2 heights for grooved base plate support, 2 heights for sleeper support
Dimensions (L x W x H)	1084 x 70 x 406 mm
Weight	from 14.6 kg



ROLIFT 40.05 - 8469900003

ROLOAD 40.51 Rail Loading and Transporting Unit



Loading diagram with 12 rails max. on 2 levels



Combination of 3 rail loading and transporting units

Safe transport on four-wheeled chassis with rail loader and trolley

- Transport of rails, through the combination of up to four units by means of draw bars
- Travels through curve radii of up to 50 m
- Maximum gradient for parking with parking brake 8 %
- Parking brake acts on all four wheels
- Pivot plate with push-fit uprights, swivelling range approx. +/- 16 degrees
- Can be used with trailer couplings and connecting rods on both sides

SPECIFICATION

Max. permitted carrying capacity	10 t
Max. carrying capacity per travelling crab/cable winch	for loading facility up to 960 mm from track centre up to 1000 kg for loading facility up to 1440 mm from track centre up to 500 kg
Max. vertical travel of cable winch	1000 mm
Wheel base	1067 mm
Running wheel diameter	340 mm
Max. permitted speed	20 km/h
Max. load capacities	12 rails up to max. 65 kg/m on two levels
Max. rail lengths	Combination of 2 rail loading and transporting units: max. 14 m long Combination of 3 rail loading and transporting units: max. 20 m long Combination of 4 rail loading and transporting units: max. 26 m long
Dimensions (L x W x H)	
Working position	1927 x 2513 x 1470 mm
Transport position	2600 x 1754 x 1470 mm
Weight	from 1600 kg
Gauge	1067 mm
Other track gauges on request	

ACCESSORIES

Connecting rods

- 8820032000 Connecting distance 5700 mm
- 8820032100 Connecting distance 4565 mm

Other lengths on request

Tow Bars

for connecting the rail loading and transporting unit to the traction vehicle

- 5011850001 straight Rockinger – Rockinger, 1500 mm length
- 4511850180 cropped, separable standard draw hook – Rockinger, 5294 mm length



ROCARRY 42.02 Rail Carrying Tongs

For carrying and lifting rails

SPECIFICATION

Rail head width	up to 80 mm
Rail head height	up to 70 mm
Dimensions (L x W x H)	1050 x 70 x 400 mm
Weight	from 7.5 kg



ROCARRY 42.10 Rail Carrying Roller Tongs

For lifting and loading/unloading rails

- Self-clamping
- With locking device to prevent the tongs from releasing autonomously



SPECIFICATION

Max. carrying capacity	0.5 t	1.5 t	1.5 t	3 t
Suitable for	small flat bottom rails	flat bottom rails	conductor rails	flat bottom rails
Dimensions (L x W x H)	200 x 170 x 230 mm	270 x 165 x 300 mm	270 x 165 x 290 mm	270 x 220 x 300 mm
Weight	from 6.5 kg	from 16 kg	from 14 kg	from 24.7 kg
Rollers	4	4	4	6

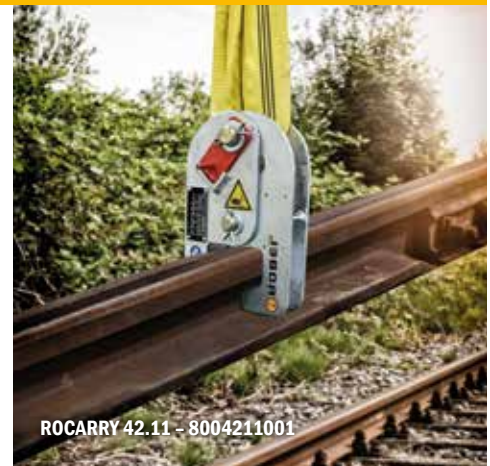
ROCARRY 42.11 Rail Carrying Tongs

For lifting and transporting rails

- ROLOAD 40.44 and 40.51 rail loader
- With locking device to prevent the tongs from releasing autonomously

SPECIFICATION

Max. carrying capacity	1.5 t	3 t
Suitable for	flat bottom rails	
Dimensions (L x W x H)	100 x 165 x 300 mm	
Weight	from 5.4 kg	



ROCARRY 42.22 Rail Carrying Tongs with Suspension Eye

For lifting and transporting rails

- With suspension eye (crane hook securing) and locking device
- Sturdy design with 3 lifting claws
- Opens automatically when touching down on rail head
- Different versions available for different rail types.
Get in touch with your ROBEL contact

SPECIFICATION

Max. carrying capacity	3 t
Dimensions (L x W x H)	120 x 130 x 400 mm
Weight	from 10.9 kg



ROCARRY 42.25 Rail Carrying Roller Tongs

For lifting and lateral movement of rails using a rail-road excavator.

- Highly robust design
- Easy handling
- Self-clamping
- With suspension eye

SPECIFICATION

Max. carrying capacity	6 t
Suitable for	flat bottom rails
Dimensions (L x W x H)	340 x 360 x 330 mm
Weight	43 kg
Rollers	4



ROCARRY 42.25 – 8422500001

ROMOVE 43.02 Rail Mover

For lifting and moving rails longitudinally and laterally.

- Consists of 2 supports, 1 cross beam, 1 travelling crab and 1 roller carrying tongs
- Sturdy support with holes for adjusting height of cross beam by locking pin, with folding carrying handles, wooden feet and running rollers
- Easy to dismantle for transport to and from the work site
- Recommended distance between devices approx. 10 m
- Version 176 (rack hoist): Optional with parking brake
- Version 181 (chain hoist): With deadman's brake
- Chain hoist adjustable with crank or cordless screwdriver (cordless screwdriver not included)



ROMOVE 43.02 – 8379900007

SPECIFICATION

	with rack	with chain hoist
Max. carrying capacity	1.5 t	990 kg
Vertical travel	800 mm	800 mm
Running distance of travelling crab	1900 mm	1790 mm
Support width	2240 mm	2065 mm
Max. head width of rail	75 mm	86 mm
Max. head height of rail	45 mm	45 mm
Dimension (L x W x H)		
Travelling crab	1150 x 360 x 310 mm	475 x 350 x 165 mm
Roller carrying tongs	305 x 270 x 165 mm	200 x 219 x 305 mm
Cross beam	2450 x 210 x 130 mm	2180 x 295 x 230 mm
Supports	1180 x 700 x 130 mm	1680 x 910 x 155 mm
Weight		
Travelling crab	from 24 kg	from 13 kg
Roller carrying tongs	from 16 kg	from 7.9 kg
Cross beam	from 45 kg	from 30 kg
Supports (incl. 1 carrying handle)	from 16 kg	from 14 kg
Total weight	from 117 kg	from 79 kg

ACCESSORIES

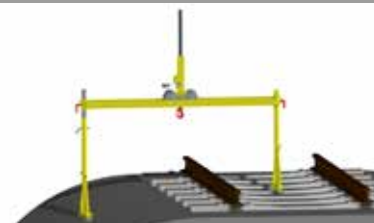
For version with rack:

8379910001 Extension, 325 mm, for embankments

For version with chain hoist:

8378930003 Road running gear for support

8378930004 Extension for support



ROLIFT 43.25 Hydraulic Rail Lifting Device



ROLIFT 43.25 (Hydraulic Rail Lifting Device) – 8739900601
Drive unit GX200 – 8759901201

For lifting flat bottom rails e.g to replace rail pads and ribbed plates.

THE ADVANTAGES. YOUR BENEFITS.

High safety for the operator

- Modular system consisting of rail lifting device and drive unit
- Choice of drive unit with ROBEL battery or combustion engine
- Easy to use
- High output
- With deadman's brake
- Hydraulic & electrical safety device
 - Rail clamps cannot be opened under load
 - Off-tracking possible via hydraulic emergency pump
- No collision in the clearance gauge and in the switch
- LED light for extensive illumination of the working area

SPECIFICATION Track Lifting Device

Cylinder lift	approx. 400 mm
Lifting capacity	approx. 6 t
Track gauge	1435 mm
Max. operating pressure	160 bar
Dimensions (L x W x H)	
Transport position	1200 x 1900 x 1050 mm
Working position	700 x 1900 x 1250 mm
Weight	approx. 195 kg

ACCESSORIES

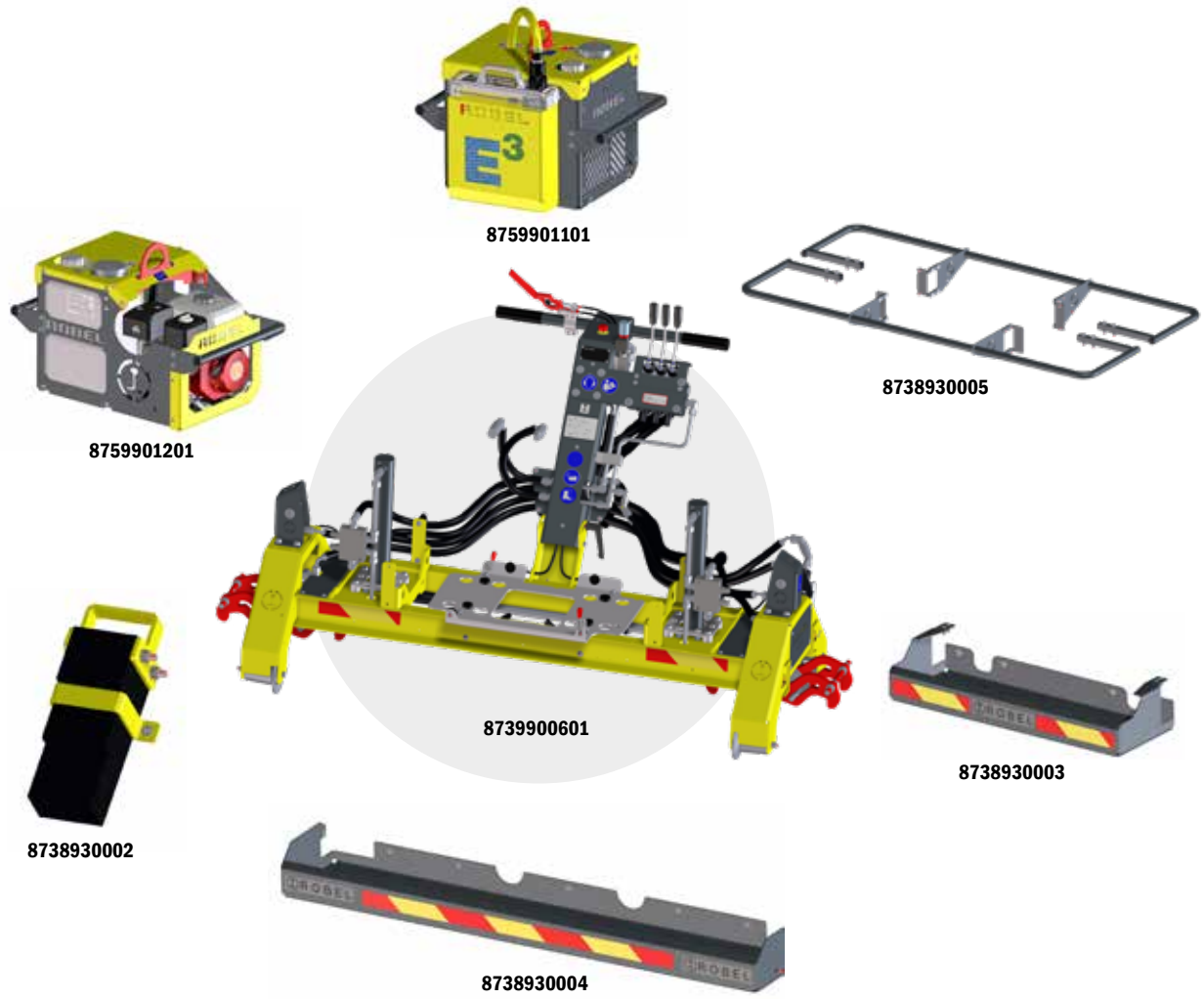
- 8738930002 Chocks
- 8738930003 Small toolbox
- 8738930004 Large toolbox
- 8738930005 Handling aid

SPECIFICATION Drive Unit

Drive	4-stroke petrol engine	BLDC electric motor
Type	Honda GX200	
Output	4.3 kW	6.6 kW
Max. operating pressure	approx. 200 bar	approx. 200 bar
Dimensions (L x W x H)	820 x 520 x 570 mm	700 x 650 x 590 mm
Weight	approx. 65 kg	approx. 61 kg (excl. battery)
Operating cycles per battery charge	-	approx. 150

ACCESSORIES

- 7839900001 Battery 2300 Wh
- 7879900001 Charger for battery 2300 Wh
- 9000208017 Battery box for battery 2300 Wh



MOVING RAILS QUICKLY AND SAFELY.



For continuous gradual repositioning of rails to the desired track gauge.

THE ADVANTAGES. YOUR BENEFITS.

Cost effectiveness

- High performance, especially with long rails
- Automatic adjustment to the track gauge during travel
- Ready for use straight away
 - For travel to and from the work site, the carrier frame is slewed into the permitted wagon profile by means of the rotatable travelling gear
 - Auxiliary rubber wheels for turning as well as ontracking and off-tracking at level crossings
- High transiting speed

Wide range of use

- Hydraulic cylinders can be mounted on the inside or outside, enabling work on track gauges 830 mm to 3530 mm
- With the use of a pressure booster various hydraulically operated tools can be utilised (no need for hydraulic power pack).

User-friendly & safe

- High occupational safety due to engine stop and rail tongs protected from turning or tilting
- Roof protects from adverse weather
- LED working lights for good visibility
- Comfortable working in winter
- Safe running behaviour due to double wheel flanges

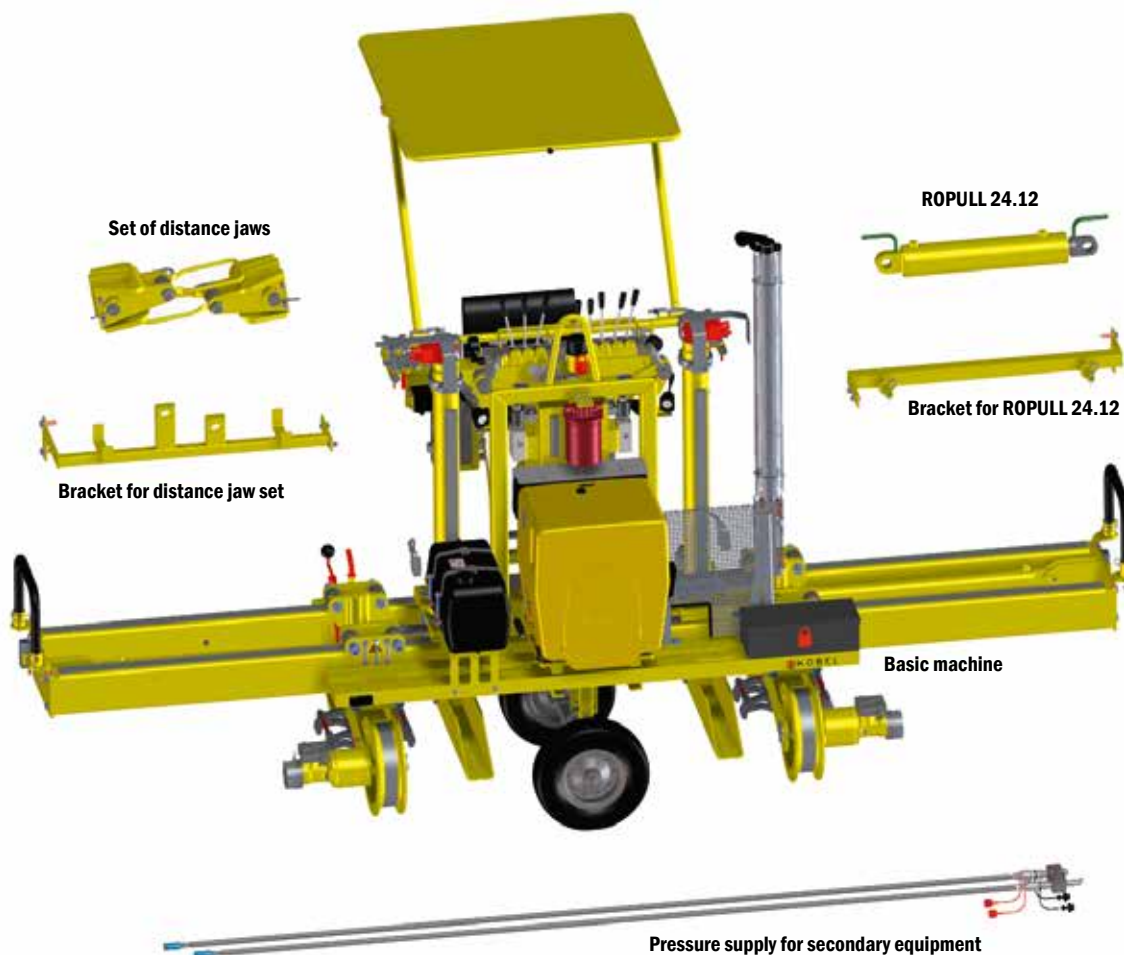
SPECIFICATION

Drive	air-cooled 4-stroke diesel engine
Type	HATZ 1 D81 "Silent Pac", specially soundproofed design
Output	7.2 kW
Hydraulic system operating pressure	50/160 bar
Max. lifting capacity	6 t
Max. vertical travel	800 mm
Outward expansion force	30 kN
Inward expansion force	15 kN
Track gauge	830 -- 3530 mm
Wheel base	800 mm
Wheel diameter double wheel flanges	300 mm
Max. travelling speed	13 km/h
Max. negotiable gradient	25 ‰
Dimensions (L x W x H)	1740 x 4000 x 2015 mm
Weight without auxiliary equipment	from 1.6 t

ACCESSORIES

- 9891041960 Hood-shaped cover
- 8437790001 Pressure supply for secondary equipment, e.g. for 24.12 ROPULL Rail Pulling and Pushing Device
- 8431920012 Brackets for ROPULL 24.12 and set of distance jaws
- 8002412019 24.12 ROPULL Rail Pulling and Pushing Device
- 8002412013 Set of distance jaws UIC 60 for ROPULL 24.12

Other rail profiles available on request



ROTOOL 44.17 Wooden Sleeper Carrying Tongs

For lifting sleepers manually.

Heavy-duty DB version made of steel.



SPECIFICATION

Sleeper width up to	270 mm
Sleeper width up to	165 mm
Dimensions (L x W x H)	1000 x 60 x 450 mm
Weight	from 5.5 kg

ROTOOL 44.18 Sleeper Puller

For moving sleepers quickly.

- Ergonomic moving of sleepers
- For sleepers with all common ribbed plates
- Sleeper puller fits between sleeper screws
- Solid, robust design



SPECIFICATION

Dimensions (L x W x H)	905 x 42 x 400
Weight	3.6 kg

ROTOOL 44.20 Concrete Sleeper Carrying Tongs

For lifting sleepers manually.

Heavy-duty DB version made of steel.



ROTOOL 44.20 - 8004420001

SPECIFICATION

Width up to	280 mm
Height up to	205 mm
Dimensions (L x W x H)	1050 x 100 x 630 mm
Weight	from 10 kg

ROJACK 46.43/46.45/46.47/46.50 Track Jack with Safety Crank Handle

For lifting and lowering loads such as track panels or rails.

- Solid, robust design with large reinforced base plate
- Safety crank handle with load pressure brake and folding handle



ROJACK 46.43/45/47/50 - 8004643001

SPECIFICATION	46.43	46.45	46.47	46.50
Max. lifting capacity	3 t	5 t	7.5 t	10 t
Max. lifting height	350 mm	300 mm	300 mm	300 mm
Excavation height	65 mm	65 mm	65 mm	80 mm
Dimensions (L x W x H)	290 x 220 x 715 mm	290 x 230 x 720 mm	290 x 230 x 720 mm	335 x 280 x 790 mm
Weight	from 24.5 kg	from 29.5 kg	from 34 kg	from 46 kg

ROJACK 47.14 Mechanical Track Jack

For continuously adjustable and precise lifting of rails.



SPECIFICATION

Max. lifting capacity	7.5 t
Max. lifting height	150 mm
Excavation height	70 mm
Dimensions (L x W x H) without lever	520 x 200 x 255 mm
Weight	from 15.5 kg

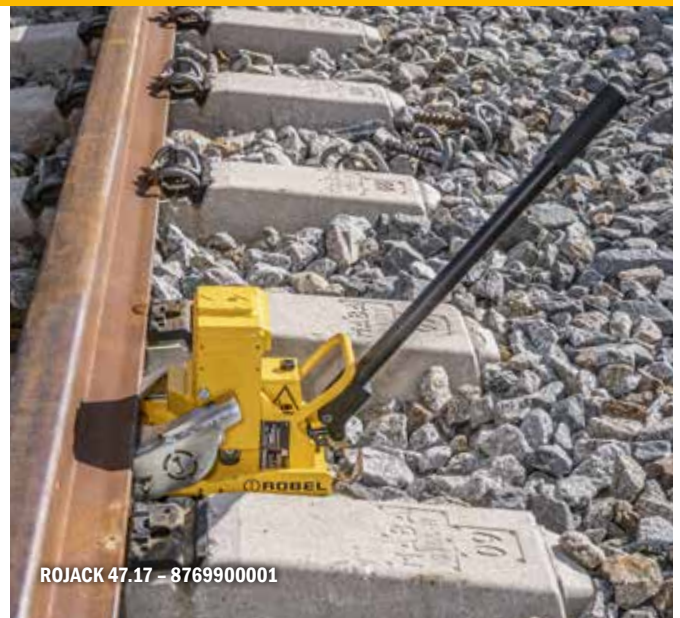
ACCESSORIES

8917513301	Crank wrench
8004714002	T-handle socket wrench
8917513203	Adapter

ROJACK 47.17 Hydraulic Track Jack

For continuously adjustable and precise lifting of rails and switches.

- Lightweight, robust and very compact design
- Easy operation using detachable hand lever and tool-free removable swivel plate
- Lifting of rail with lifting nose, at structured lifting area at the head or with swivel plate with possibility of fine adjustment (vers. 08)
- Quick-action lowering mechanism
- With pressure relief valve that prevents damage to the track jack in case of overload
- Lowering speed infinitely variable



SPECIFICATION

	Version 08	Version 09
Max. lifting capacity	6.5 t	6.5 t
Max. lifting height	80 mm	80 mm
Excavation height	74 mm	45 mm
Dimensions (L x W x H) without lever	370 x 234 x 181 mm	310 x 182 x 181 mm
Lever	500 mm	500 mm
Weight	from 20 kg	from 17 kg
With fine adjustment	yes	no

SAFE AND POWERFUL LIFTING AND LINING.



ROALIGN 47.230 - 8479900025 - Working mode

For lifting and lining tracks or entire track panels with radio remote control.

THE ADVANTAGES. YOUR BENEFITS.

Perfect work quality & efficiency

- High lifting capacity and slewing force
- High lifting height
- Millimetre-precise adjustment of the lifting height through proportional control
- Transfer travel possible at up to 15 km/h. In working mode with radio remote control up to 5 km/h possible.
- Fixture for laser measuring devices (laser measuring device is not included in delivery)
- Great time saving due to checking and possible adjustment of the track position during the tamping process via laser
- High flexibility due to exchangeable rail clamps for flat bottom and grooved rails (included in delivery)
- Remote control connected to machine by radio or by cable
- USB charging possibility

Health & safety

- Radio remote control enables operation outside the danger zone
- Permanent overview of the driving area during the transfer travel
- Complete visibility of the working units during the working mode

- LED illumination of the complete working area
- Audible and visual warning signals
- Dead man's control for transfer travel and working mode
- Signal lighting (red/white) available
- Sensor monitoring of the cylinder positions
- Emergency operation via hydraulic hand pump possible, tow bar available
- Built according to EN 15955
- Exhaust fumes routing downwards (track bed)

Applications

- For lifting and lining ballasted and non-ballasted track panels (when tamping the tracks).
- For lifting rails, for example to replace rail pads
- For lifting work in certain switch areas

SPECIFICATION

Version 35

Engine	one-cylinder 4-stroke diesel engine HATZ 1D81-C special sound-insulated design „Silent Pac“
Gauge	1435 mm
Center distance	1435 mm
Performance	
Lifting capacity	200 kN
Lifting height	continuously adjustable to 750 mm
Slewing force	42.5 kN
Slewing range	continuously adjustable to 260 mm
Travel speed	
Travel transfer	up to 15 km/h
Working mode (via remote control)	up to 5 km/h
Dimensions (L x W x H)	2000 x 2900 x 1700 mm
Weight	from 2.4 t

ACCESSOIRES

9000100064 Hood-shaped cover



Radio remote control

ROLLY 50.17 Ergonomics Support Trolley



ROLLY 50.17 - 5179900201
 ROBORE 11.20 E³ - 7859900003
 ROBATTERY 71.01 (800 Wh) - 7806800004
 Adapter for 11.12/11.20 E³ - 7858930200
 Outrigger rod - 5170820340

Support trolley with lifting device for ROBORE sleeper drilling machines (ROBORE 11.12/11.20 E³) for ergonomic use drilling synthetic or wooden sleepers.

THE ADVANTAGES. YOUR BENEFITS.

- With deadman's brake as standard
- Operator is relieved during drilling and moving, increased productivity
- Divisible
- Holding device can be quickly and easily moved to the second rail
- Plastic rollers
- Work possible in the switch
- Gradient up to 10° possible
- Bottle holder

SPECIFICATION

Dimensions (L x W x H)	950 x 1670 x 830 mm
Weight (excl. machine)	25 kg
Gauge	1000 mm - 1524 mm

ACCESSOIRES

- 5170820340 Outrigger rod for gauges from 1000 mm to 1435 mm
- 5170820350 Outrigger rod for gauges from 1495 mm to 1524 mm
- 7858930200 Adapter for ROBORE 11.12/11.20 E³
- 5171800201V Storage tray
- 5171950201V Counterweight for cant

ROLLY 51.12 Light Track Trolley

For transporting material, equipment and tools on rail tracks.

- Light, robust transport trolley with a platform of perforated aluminium plate with an anti-slip surface
- No accumulation of water or dirt
- Ball bearing synthetic running wheels/optionally sheet steel jacketed
- 2 or 4 carrying handles in different positions
- Parking brake acting on two wheels

Various track gauges and designs on request.



SPECIFICATION

Max. carrying capacity	700 kg
Dimensions (platform)	800 x 1620 mm (others on request)
Weight	from 26 kg

ACCESSORIES

- Bow-type handle, non-folding (mounting kit)
- Bow-type handle, folding, with integrated deadman's brake (mounting kit)
- Parking brake brake rod to sleeper crib

Please get in touch with your ROBEL contact about the appropriate and required accessories for your track trolley



ROLLY 52.16 Transporting Device

THE ADVANTAGES. YOUR BENEFITS.

- Safe transport on 4-wheel trolley**
- Transports long-welded rails, track construction equipment, tools and track components
- Options**
- With or without parking brake acting on all 4 wheels
 - With or without uprights
 - Available for different track gauges
- Version 5**
- Combination of up to four devices using connecting rods



ROLLY 52.16 Version 3 with pivot plate, parking brake and uprights - 8005216011



ROLLY 52.16 Version 5 with pivot plate, parking brake and uprights - 8269900040
Drawbar - 4511850180
Connecting rods - 8820032000



ROLLY 52.16 Version 5 - Trailer coupling detail

SPECIFICATION	Version 2	Version 3	Version 5	Version 6
Basic design	without pivot plate	with pivot plate	with or without pivot plate	with or without pivot plate
Max. carrying capacity	15 t	15 t	15 t	15 t
Wheel base	480 mm	480 mm	= Track gauge	= Track gauge
Cross beam length	1900 mm	1900 mm	1900 mm	1900 mm
Running wheel diameter	250 mm	250 mm	250 mm	250 mm
Max. permitted speed	20 km/h	20 km/h	20 km/h	20 km/h
Dimensions (L x W x H)	780 x 1900 x 360 mm	780 x 1900 x 493 mm	1734 x 2056 x 390 mm	1734 x 1900 x 390 mm
Weight	from 187 kg	from 252 kg	from 382 kg	from 304 kg
Trailer coupling	without	without	incl. 2	without

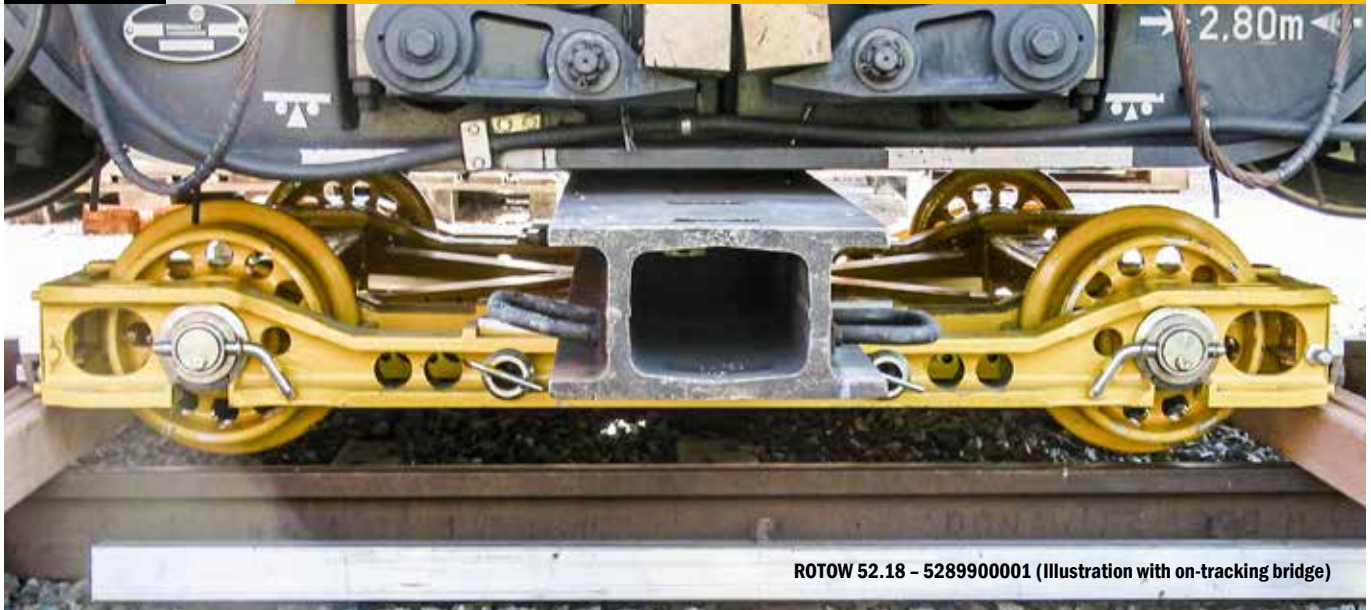
ACCESSORIES

- Connecting rods for Version 5**
- 8820032000 Connecting rod 5700 mm
 - 8820032100 Connecting rod 4565 mm
 - 5011850001 Connecting rod 1500 mm
- Other lengths on request.
- 4511850180 Cropped drawbar, separable, Standard draw hook - Rockinger
 - 8261800005 Push-fit uprights for Versions 2, 5 and 6 without pivot plate



ROLLY 52.16 Version 5 without pivot plate, with parking brake - 8269900038

ROTOW 52.18 Towing Device



For recovering and transporting rail vehicles with defective wheels or wheel sets.

THE ADVANTAGES. YOUR BENEFITS.

User-friendly, saving cost and time due to modular design

- Quick assembly and recovery thanks to modular design
- Low weight of individual components
- High carrying capacity due to sturdy diagonally interlocking frame (up to 300 kN)

- Lifting technology in cooperation with partner LUKAS Hydraulik GmbH
- Minimum subsequent costs (e.g. line closure)

SPECIFICATION

Gauge	1435 mm
Rail vehicles to be towed with running wheel diameter	630 - 1250 mm
Pivoting range of on-tracking bridge (pivot plate)	+/- 5°
Wheel base	1300 mm
Running wheel (measuring circle) diameter	300 mm
Tyre width	135 mm
Wheel flange height	32 mm
Towing speed	40 km/h
Height of running wheel above top of rail (rail vehicle)	17 - 84 mm
Max. carrying capacity	30 t
Total weight from	630 kg
Modular design, individual component max.	from 71 kg
Dimensions (L x W x H)	1790 x 1955 x 332 mm

ACCESSORIES

8720180252 Mounting jack, carrying handles with hook-in claws for carrying or placing pre-assembled longitudinal beams onto the wheelsets of the towing device (one pair required per device)

8720180258 Adapter for on-tracking bridge, type „DUO - LUKAS“
5288930001 Transverse on-tracking device

On-tracking bridges on request.

ROLLY 52.30 Track Trolley

For transporting track construction equipment, tools and materials.

- Light metal construction
- Can be disassembled into 5 parts (without tools)
- Heaviest individual component from 34 kg
- Easy to assemble and disassemble
- Ball bearing aluminium running wheels
- Insulated from rail to rail
- Optional: Deadman's brake on 2 wheels

Available for different track gauges.

SPECIFICATION

Max. carrying capacity	2 t
Dimensions (L x W x H)	1600 x 1890 x 890 mm
Weight without deadman's brake	from 108 kg
Weight with dead man's brake	from 121 kg



ROLLY 52.30 - 8005230002

ROCOUPLE 58.03 Tow Bars

For coupling two rail vehicles
(fitted with Rockinger coupling).

ROCOUPLE 58.03

- Length 1500 mm
- Max. permitted traction force = 100 kN
- Max. permitted thrust force = 100 kN
- $\Delta h = \pm 150$ mm



ROCOUPLE 58.03 - 8829900005

ROCOUPLE 58.03

- Length 1450 mm
- Max. permitted traction force = 100 kN
- Max. permitted thrust force = 100 kN
- $\Delta h = \pm 75$ mm



ROCOUPLE 58.03 - 8829900002

ROCOUPLE 58.62 Tow Bars

For coupling two rail vehicles
(Rockinger coupling to standard draw hook).

ROCOUPLE 58.62

- Length 1450 mm
- Max. permitted traction force = 50 kN
- Max. permitted thrust force = 30 kN
- $\Delta h = 325$ mm, ± 75 mm



ROCOUPLE 58.62 - 8829900003

ROCOUPLE 58.62

- Length 1250 mm
- Max. permitted traction force = 50 kN
- Max. permitted thrust force = 30 kN
- $\Delta h = \pm 100$ mm



ROCOUPLE 58.62 - 8829900004

ROMOVER 59.08 Wagon Mover

For moving wagons of up to 60 t total weight.

- To be used on level surfaces
- For flat bottom and grooved rails as well as on slab track
- Recommended wheel diameter 600 to 1000 mm
- Dimensions (L x W x H) 2500 x 190 x 140 mm
- Double cropped version for very short stroke available, wagon mover can be applied slanted
- Weight from 12 kg



ROCHOCK 59.09 Wheel Chock

Press-on wheel chock

THE ADVANTAGES. YOUR BENEFITS.

Simple design

- Makes coupling process easier by preventing long-coupled wagon formations from decoupling in departure tracks
- Press-on wheel chock will fall off the rail without affecting the clearance gauge thanks to its eccentrically arranged counter-weight

Versions

- 9805909002 Right-hand version press-on wheel chock
9805909003 Left-hand version press-on wheel chock



Wheel Chock L130

THE ADVANTAGES. YOUR BENEFITS.

Simple design

- Secures stationary wagons from unintended movement
- After bolting the chock to the rail head and removing the split pin, the key can be removed, securing the chock against unauthorised removal

Versions

- 9891053208 Wheel chock, both sides
Can be locked with removable key.
Total length 640 mm
Tip length per wedge ramp 160 mm
- 9805909011 Wheel chock, both sides
Can be locked with removable key.
Total length 740 mm
Tip length per wedge ramp 210 mm
Particularly suited for inclines.



Wheel Chock L134

THE ADVANTAGES. YOUR BENEFITS.

Simple design

- Was developed for securing stationary freight wagons
- Available for wheel diameters 810 – 1000 mm as well as 630 – 760 mm

Versions

- 9805909001 Wheel chock L134
9805910003 Wheel chock L134S

With long bracket for easier application.



ROSTOP 59.10 Drag Shoe

For dragging slowly rolling vehicles.

- Standard drag shoe of DB
- Double fishplated for flat bottom rails
- Single fishplated for grooved rails (left-hand and right-hand side)
- Cap and handle replaceable
- Dimensions (L x W x H) 550 x 90 x 140 mm
- Weight from 7.5 kg

Various versions on request.



RODERAIL 59.11 Double Drag Shoe

For dragging slowly rolling vehicles.

- Consists of 2 double fishplated standard DB drag shoes
- Connected by a thread rod and a steel tube
- Cap and handle replaceable
- Weight from 20 kg

Various versions on request.



RORERAIL 59.12 Double-Sided Rerailing Frog

For on-tracking rail vehicles.

- Used in pairs on standard railways with heavy wagon fleet
- Sturdy ramp with access to rails from both sides
- Pressure intake: 12.5 t each
- Dimensions (L x W x H) 800 x 600 x 270 mm
- Weight from 75 kg



ROJOINT 68.61 Rail Puller

With the rail puller a rail with an undrilled rail end can be pulled off using a tension lock; the rail puller is mainly used for unloading long rails. The rail puller is used for pulling the first rail (using a belt or rope).

SPECIFICATION

Maximum tensile force		30 kN
Minimum clamping force ¹		10 kN
Curve radius of rail ²	vertical	≥ 120 m
	horizontal	≥ 100 m
Weight of rail clamp		26.5 kg
Tightening torque of screw bolt		80 Nm
Loosening torque of screw bolt		up to 1000 Nm
Rail joint spacing after pulling process is 25 to 35 mm		
Design for rail types 60E1, 54E1, JIS60		
Design for rail type 49E1, BV50		
Design for rail type BS113A		



ROJOINT 68.61 - 8004061038

- 1 Minimum clamping force: The required clamping force is achieved automatically as soon as the connected rails are tensioned or pulled. As a result of the static friction, the connected rail must have a detachment force of 10 kN minimum (corresponds to approx. 50 m 60E1 on an oiled wooden base)
- 2 Data for flat ground rail tracks

ROJOINT 68.61 Rail Joiner

With the rail joiner, two undrilled rail ends can be connected by a tensile securing device; the rail joiner is mainly used for unloading ultra-long rails.

SPECIFICATION

Maximum tensile force		40 kN
Minimum clamping force ¹		10 kN
Curve radius of rail ²	vertical	≥ 120 m
	horizontal	≥ 100 m
Weight of rail joiner		21.0 kg
Tightening torque of screw bolt		80 Nm
Loosening torque of screw bolt		up to 1000 Nm
Rail joint spacing after joining process is 25 to 35 mm		
Design for rail types 60E1, 54E1, JIS60		
Design for rail type 49E1, BV50		
Design for rail type BS113A		



ROJOINT 68.61 - 8004061023

- 1 Minimum clamping force: The required clamping force is achieved automatically as soon as the connected rails are tensioned or pulled. As a result of the static friction, the connected rail must have a detachment force of 10 kN minimum (corresponds to approx. 50 m 60E1 on an oiled wooden base)
- 2 Data for flat ground rail tracks

TAMPING



ROTAMP 62.05

Vertical Tamper Series



62.05CC Petrol version - 8809900031

For all tamping work on the track.

The track geometry of the permanent way is vital for the safety of the railways. Deviations from the target geometry arising from level defects jeopardise the rail traffic. They result in restricted speed sections or even line closures.

ROTAMP with its ROBEL vertical tamping principle allows for accurate interlocking of the ballast. Its high tamping performance enables

more tamping operations within a given time and is easy on the operator. ROBEL developed the patented 2-level vibration decoupling, which reduces the hand-arm vibration to a minimum. The low weight of the ROTAMP and its handy design allow for comfortable and ergonomic working.

Sleeper tamped within 2 minutes.

THE ADVANTAGES. YOUR BENEFITS.

Stable track geometry with the ROBEL vertical tamping principle

- Optimum ballast compaction under the sleeper
- High loading capacity of track bed due to tightly interlocked ballast
- Continuous railway operation and better utilisation of line capacity
- Long durability of ballast compaction

High tamping performance with optimum ergonomics

- Minimum hand-arm vibration thanks to patented 2-level vibration decoupling
- Low machine weight relieves the operator
- Thermal shielding with cover hood
- Exhaust gas routing away from operator
- Option: Central safety shutdown

Cost reduction

- Ballast-friendly tamping avoids replacing sleepers and ballast
- Low wear/maintenance costs thanks to solid design
- Replaceable tamping tool made of wear-resistant steel

SPECIFICATION

Drive	2-stroke petrol engine	4-stroke petrol engine	Electric motor optional with ROPOWER 70.01 generator: 9002100186 (for 1 – 2 tampers) 9002100190 (for 1 – 4 tampers)
Type	Kawasaki	Honda GX50	
Output	1.42 kW	1.47 kW	0.75 kW/vertical tamper
Dimensions (L x W x H)	1130 x 500 x 430 mm	1130 x 500 x 430 mm	1130 x 480 x 410 mm
Weight	from 24.3 kg	from 23.8 kg	from 24.5 kg
Diameter tamping tool	95 mm	95 mm	95 mm

ACCESSORIES

8803751002V Tamping tool
9806205010 Transport box
9899890100 Shoulder strap

Safety shutdown to alert of potential danger.

On the work site the operator can focus on tamping and will be warned of approaching trains by the central shutdown of the vertical tampers. One supervisor can stop up to 4 vertical tampers simultaneously.

8809910004 Conversion kit for safety shutdown; one each required per vertical tamper
9008120435 Connection cable, one each per vertical tamper
9008120434 Cable drum, can be used for 1 to 4 vertical tampers
8868230001 Rail movement indicator, indicates the horizontal movement of the rail in relation to the ballast
8999910002 Additional carrying handle for easy transport of the vertical tamper

Optional accessories for servicing work:

8808950120 Mounting aid for placing vertical tamper in a vice
8998950001 Removal device for eccentric shaft

For measuring the tamping tool wear:

Using the templates, you can see the wear of the tamping tool

9880890100 Wear gauge tamping tool



ROTAMP 62.05 Light - 8999900013

For all tamping work on the track.

THE ADVANTAGES. YOUR BENEFITS.

Tamping sleepers quickly and easily.

- ROBEL vertical tamping principle allows for accurate interlocking of the ballast
- Reduced tamping time due to optimum ballast compaction
- Available in different versions

ROTAMP 62.05 Light:

- In areas difficult to access (e.g. railway embankment)
- On more heavily compacted ballast bed

ROTAMP 62.05 Light Short:

- For ergonomic working for shorter operators thanks to 120 mm lower handle

ROTAMP 62.05 Light Flex:

- For ergonomic working for operators of different heights, thanks to 5 adjustable heights from standard handle position

ROTAMP 62.05 Light Slim:

- Reduced tamping tool diameter for heavily soiled ballast bed

ROTAMP62.05 Light Slim Short:

- 120 mm lower handle and reduced tamping tool diameter

SPECIFICATION	Light	Light Short	Light Flex	Light Slim	Light Short Slim
Drive	4-stroke petrol engine	4-stroke petrol engine	4-stroke petrol engine	4-stroke petrol engine	4-stroke petrol engine
Type	Honda GX50	Honda GX50	Honda GX50	Honda GX50	Honda GX50
Output	1.47 kW	1.47 kW	1.47 kW	1.47 kW	1.47 kW
Dimensions (L x W x H)	1100 x 500 x 440 mm	1100 x 500 x 440 mm	1100 x 500 x 440 mm	1100 x 500 x 440 mm	1100 x 500 x 440 mm
Weight	18.9 kg	18.7 kg	21.5 kg	18.5 kg	18.4 kg
Height adjustment	No	No	Yes	No	No
Diameter tamping tool	75 mm	75 mm	75 mm	65 mm	65 mm

ACCESSORIES

- 5993760001V Tamping tool
- 5993760002 Tamping tool reinforced for approx. double the service life, additional 1.5 kg
- 5993760003 Tamping tool 62.05 Light Slim/ 62.05 Light Short Slim



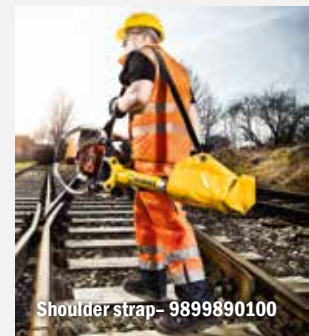
- 8998980120 Tamping tool wear gauge



8998980120

- 9806205010 Transport box

- 9899890100 Shoulder strap



ACCESSORIES FOR SERVICING WORK:

- 8998950200 Extractor device for tamping tool



8998950200

- 8808950120 Mounting aid for placing vertical tamper in a vice



8808950120 (red)

- 8998950001 Removal device for eccentric shaft



8998950001 (red)

POWER LIGHTING



ROPOWER 70.02

Hybrid Drive Unit



ROPOWER 70.01 - 5919910001

Availability of power independent of power supply.

THE ADVANTAGES. YOUR BENEFITS.

- Tested for safety (GS test mark) as per Art. 21
- Meets requirements of VDE Electrical Engineering Association
- Noise emission complies with EEC Directive 84/536 on Noise Protection
- Isolation monitoring with shutdown as per Regulation GW 308 Product Safety Act
- Long operating times due to large tank
- With single-axle trolley

SPECIFICATION

Drive	4-stroke petrol engine	4-stroke petrol engine
Type	Honda GX270, with oil level monitoring	HondaGX 390, with oil level monitoring
Output	5.4 kW	7.5 kW
Output	4 kVA/400 V and 3.7 kVA/230 V, 50 Hz	6.1 kVA/400 V and 5.2 kVA/230 V, 50 Hz
Protection type	IP 54 (protection insulated)	IP 54 (protection insulated)
Weight	from 88 kg	from 100 kg

ACCESSORIES

- 9008060025 Socket distributor with emergency off switch
- 9008120218 Cable drum/extension lead 30 m long



9008120218



9008060025

ROPOWER 70.02 Hybrid Drive Unit

For powering:

- ROGRIND 13.49 E³ Hybrid Rail Head Profile Grinding Machine

THE ADVANTAGES. YOUR BENEFITS.

- ROBEL supercaps in the power pack allow for the storage of excess energy from grindstone idling and will release it again during load peaks.
- Oil level monitoring with automatic shut-off when low
- Especially smooth and low-vibration engine run



SPECIFICATION

Drive	4-stroke engine
Type	Honda GX200
Output	up to 7.0 kW
Total weight	from 49.5 kg

ACCESSORIES

- 5026930001 Discharging box
for discharging the supercaps for maintenance



Discharging box - 5026930001

ROPOWER 70.03 Power Supply

As alternative drive for machines with brushless electric motor:

- ROCUT 13.90 E³
- ROGRIND 13.45MD E³
- ROGRIND 13.49 E³
- ROCONVERT 72.01 E³



SPECIFICATION

Input voltage	400 VAC* 50/60 Hz
Input power	11 kW
Output power	10 kW
Weight from	18 kg
Length of connection cable	5 m (CEE-32A safety plug)

*VAC = Volt a.c. current; *VDC = Volt d.c. voltage

ROPOWER 76.02 High-Pressure Power Pack – Petrol

For powering:

- ROSTRESS 24.70 Hydraulic Rail Stressor
- ROTRIM 14.10 Hydraulic Weld Trimmer

THE ADVANTAGES. YOUR BENEFITS.

- Low space requirement for transport and storage due to compact design
- Protection of components from damage
- Speedy operation due to automatic changeover from low pressure range to high pressure range
- Mechanically coded connections rule out misuse
- Use of a second rail stressor possible due to integrated shut-off valves in the hose kit



SPECIFICATION

	Single	Dual
Drive air-cooled	4-stroke petrol engine	4-stroke petrol engine
Output	2.6 kW	2.6 kW
Pressure supply	550 bar	550 bar + 670 bar
Dimensions (L x W x H)	700 x 385 x 395 mm	700 x 385 x 395 mm
Total weight power pack (without carrying handles, without hoses)	from 41 kg	from 47 kg
Powering	ROTRIM 14.10	ROTRIM 14.10 + ROSTRESS 24.70
Emergency hand pump	no	yes (optional)

ACCESSORIES

- 5088930001 4-part carrying handles
5148930301 2-part carrying handles



- 9000860451 Hose kit
ROTRIM 14.10 Hydraulic Weld Trimmer
5087900005 Hose kit
ROSTRESS 24.70 Hydraulic Rail Stressor
with lashing protection (increased safety)



- 5088930003 Distribution block for operating 2 rail stressors
(ROSTRESS 24.70)



ROLIGHT KLL**For extensive lighting of work sites.**

Special compact fluorescent lamps with high output at low current consumption. 4 of the 8 lamps can be turned off, providing glarefree light in one direction.

- Illuminated area of up to 700 m
- Can withstand wind speeds of up to 120 km/h due to special stand
- Saves space and quick to set up
- Safe delivery and storage in impact-resistant flight case

SPECIFICATION

Diameter	200 mm
Length	900 mm
Optimum height in use	3500 mm
Number of lamps	8 x 80 W
Output	0,36 – 0,7 kW*
Supply voltage	230 VAC
Required generator power (230 VAC)	1,0 kW
Total weight	ab 41,4 kg

* depending on operating mode



ROLIGHT KLL - 9807306104

ROLIGHT LED**For lighting work sites.**

Available versions with one, two or four lamps. Low current consumption at high luminosity.

- Maintenance-free
- Can be used in flexible temperature range: -40 C to +55 C
- No UV/IR radiation
- Extendable from 1000 to 3500 mm
- Can be folded down to 1000 x 190 x 190 mm

SPECIFICATION

LED output	0.04 kW
Voltage	230 VAC
LED service life	> 50,000 h
Total weight	from 15 kg



ROLIGHT LED - 9807306102

ROLIGHT 73.20 Site Illumination

For cordless lighting of work sites.

THE ADVANTAGES. YOUR BENEFITS.

- Flexible use
- Cordless source of light for any work area
- Can be used in wide temperature range of -20 °C to +40 °C
- Includes battery, charger and stand



SPECIFICATION

LED lighting duration	4-8 h at 100 % luminosity up to 16 h at reduced luminosity
LED output	up to 0.03 kW
Battery	LI-ION 6 Ah, 22.2 V
Charging time	< 8h
Protection class lamp/battery	IP65/III
Weight (without stand)	3.7 kg
Dimensions (L x W x H)	305 x 295 x 110

SECURING MEASURING



ROCLAMP 68.05

Rail Clamp



ROCLAMP 68.05 - 9806805005

For a positive and secure connection of two rail ends.

At insulated joints, fractured rails and detected rail defects, from prevention to repair. Used worldwide.

Depending on the position and type of the fracture point, either two short or one long rail clamp is used.

Application of short standard version

To connect two different rail types via transition fishplates or at the fracture points of a welded rail joint, a short rail clamp is fitted to both ends of the fishplate.

The short variant is particularly suited for tight spaces, e.g. at stock rails, in the switch blade or frog area but also for the use on cropped fishplates.

Application of long standard version

A long rail clamp is sufficient for connecting an insulated rail joint in the sleeper crib.

THE ADVANTAGES. YOUR BENEFITS.

Various possibilities of use

- Different versions for various rail types
- Can also be deployed for thermite welding with the use of cropped fishplates
- Can also be used on slab track
- EBA approval
- DB user acceptance

Cost effectiveness

- Track remains open for traffic thanks to quick installation
- Long service life at reduced inspection intervals and low maintenance effort
- High passing speed, depending on rail defect

Safe & user-friendly

- Patented safety latch (screw locking)
- Precise adjustment to rail profile and fishplate
- Perfect fit due to 3-point support concept for the appropriate rail/fishplate combination
- Rail clamp and securing plate are secured with the same torque
- Colour coding in line with rail profile
- Easy to use thanks to compact design and minimum excavation of ballast

SPECIFICATION	Long
For rail types	60E1, 54E3, 49E1 (each with suitable fishplate)
Permitted speed	up to 200 km/h, depending on infrastructure manager
Dimensions (L x W x H)	190 x 280 x 130 mm
Tightening torque	580 Nm
Weight	21.5 kg (depending on specified rail profile)



SPECIFICATION	Short
For rail types	60E1, 54E3, 49E1 (each with suitable fishplate)
Permitted speed	up to 200 km/h, depending on infrastructure manager
Dimensions (L x W x H)	100 x 280 x 130 mm
Tightening torque	580 Nm
Weight	11.5 kg (depending on specified rail profile)

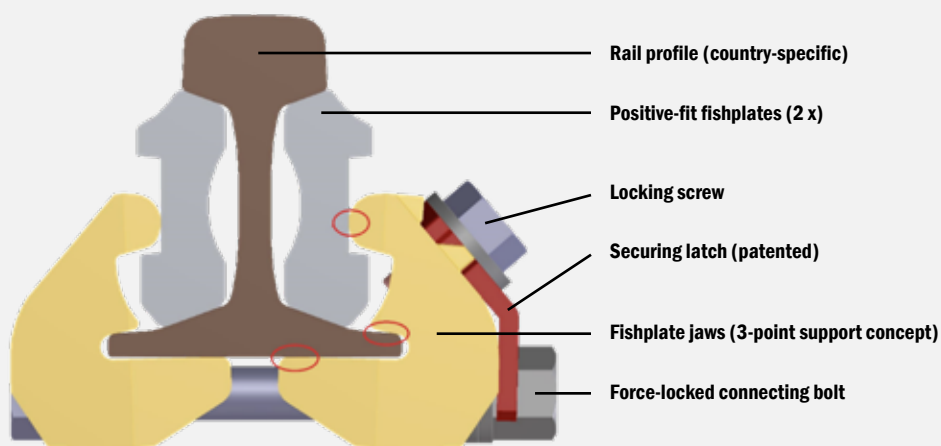


The following countries can also be supplied with:

- **Australia:** short and long version for rail profiles AS53Kg, AS60Kg, AS68Kg, AS41 kg, AS47 kg
- **Belgium:** short version for rail profiles 50E2, 50E2T1, 60E1
- **Denmark:** short version for rail profiles 60E1, 45E2
- **Germany:** short and long version for rail profiles 50E6, 54E1, 60E2
- **France:** short and long version for rail profiles 49E1, 60E1, 54E3
- **United Kingdom:** short and long version for rail profiles BS113A, 60E1, 49E1, 39E1, short version for rail profile S41-R10
- **New Zealand:** long version for rail profiles OT50 (NZ50kg), 91lb, NZR, AS50kg, IRS 52 kg, 48,5 kg
- **Lithuania:** short version for rail profile R65

The rail clamps listed are not suitable for grooved rails. For any queries concerning further rail clamps or your specific rail/fishplate combination, please get in touch with your ROBEL contact.

Schematic diagram of installed rail clamps:



ACCESSORIES

- 9002501790 Torque wrench with adjusting scale automatic release tightening torque 130 – 650 Nm 3/4 inch square drive weight from 2.9 kg reversible with push-in ratchet
- 9002501120 Socket AF 38 or AF 41 Hexagon socket wrench insert 3/4 inch square drive

- 9001200131 Straight fishplate FL30a, for rail profile 60E1 (suitable for version 4 and 5)
- 9001201119 Straight fishplate FL14a, for rail profile 54E3 (suitable for version 4 and 5)
- 9001200129 Straight fishplate FL41/49, for rail profile 49E1 (suitable for version 4 and 5)



MEASURING EQUIPMENT

ROMEAS 82.05 Versine Measuring Device

For measuring track curves.

- Not independent of clearance gauge
- Two aluminium angle supports with level
- 50 m chord/nylon rope
- With ruler
- Complete in faux leather bag
- Weight 2.6 kg



ROMEAS 82.06 Versine Measuring Device

For easy checking and determination of versine values in a track curve.

- Independent of clearance gauge
- Can be used for all common rail types
- Measuring chord can be adjusted to rail height as well as in lateral direction
- Easy fastening at the foot of the rail
- Consisting of 2 tension clamps with rope drum and 50 m chord/nylon rope
- Complete in faux leather bag
- Weight 4.3 kg



ROMEAS 82.07 VIG 1300 Sighting and Levelling Device

Optical instrument for determining longitudinal level, track level and switch level.

THE ADVANTAGES. YOUR BENEFITS.

Ergonomical & precise

- High-quality optics with tilting device
- Sturdy tripod with practical quick-fastening and bubble tube for checking alignment
- Sighting stick with level for alignment and transport bracket can be split
- Mirrored circular bubble
- With scale for displaying rotation area
- True image



SPECIFICATION

Optics	
Height-adjustable	+ 50 mm
Tilting range	± 40 ‰
True image	
Telescope magnification	24-fold
Shortest sighting range	< 0.5 m
Rotation range	with micro adjustment 360°
Sighting rod	
Measuring scale	with mm/E-graduation
Measuring range of basic scale	± 800 mm
Measuring range of adjustable level slide	+150 mm to -100 mm
Total weight	10.3 kg

ACCESSORIES

Mounting support for grooved rail

ROMEAS 82.11 SQUARE Track Square



For aligning sleepers.

THE ADVANTAGES. YOUR BENEFITS.

- Double leg
- In robust aluminium construction
- With inner and outer stops
- Insulated from rail to rail

SPECIFICATION	Fixed design	Separable design	Version for switch blades
Dimensions (L x W)	1700 x 1400 mm	1700 x 700 mm	800 x 600 mm
Weight	3.6 kg	3.2 kg	1.8 kg

ROMEAS 83.07 RCA Analogue Switch Gauge and Cant Measuring Device

For all common measuring points of switches and tracks.

THE ADVANTAGES. YOUR BENEFITS.

- Modular design and low weight
- Available for different track gauges
- Insulated from rail to rail
- Add-ons for extra features available
- DB user acceptance



SPECIFICATION

Track gauge	1435 mm (1415 mm to 1475 mm)
Check rail gauge	1385 mm to 1405 mm
Back-to-back distance	1345 mm to 1361 mm
Flangeway clearance	30 mm to 82 mm
Cant	-30 mm to +200 mm
Weight	2.5 kg

Other gauges available on request.

ACCESSORIES

Exchangeable measuring probes
Non-conductive fibreglass design
Separable design for gauge sizes ≥ 1435 mm
Version for grooved rails ≥ 20 mm
Test adapter for switch blades (gauges 1/2)

DB test adapter for switch blades (gauges 1/2/2-19/2-21)
Frog nose inclination measuring unit
Check rail height measurement unit
Transport bag for separable devices
Solid, well-padded transport case

ROMEAS 83.15 POINT Fixed Point Measuring Device

For measuring distances between fixed points at the track and signal posts, concrete walls, etc. and for checking individual level values using an appropriate measuring stick.

THE ADVANTAGES. YOUR BENEFITS.

- Attached to the rail by magnets
- Exact position adjustable via a level

SPECIFICATION

Weight	1.2 kg
--------	--------



ROMEAS 83.18 MK150 Joint Gap Measuring Device

For measuring the distance between two adjoining rails and for checking the switch blade.

- Aluminium
- With measuring scale

SPECIFICATION

Measuring range	1 mm to 150 mm
Weight	0.1 kg



ROMEAS 83.20 GG718 Stock Rail and Switch Blade Template

For correct and safety-relevant checking and measuring of wear spots in the switch blade area.

GG718 is available in a standard version (Gauge 1/2) and in the DB version (Gauge 1/2/2-19/2-21).

- Insulated from rail to rail
- Including feeler gauge \varnothing 4 mm
- Gauge 1/2
- Gauge 1/2/2-19/2-21 (DB)
- DB user acceptance

SPECIFICATION

Weight	1.4 kg
--------	--------



ROMEAS 83.37 RCS Analogue Track Gauge and Cant Measuring Device

For all common gauge and cant measuring points in tracks.

THE ADVANTAGES. YOUR BENEFITS.

- Modular design and low weight
- Available for different track gauges
- Insulated from rail to rail
- Add-ons for extra features available
- DB user acceptance

SPECIFICATION

Track gauge	1435 mm (1415 mm to 1500 mm)
Cant	-30 mm to +200 mm
Weight	2.5 kg

Other gauges available on request.



ROMEAS 83.37 RCS - 9808337100

ACCESSORIES

Exchangeable measuring probes
 Non-conductive fibreglass design
 Separable design for gauge sizes ≥ 1435 mm
 Transport bag for separable devices
 Solid, well-padded transport case

ROMEAS 83.50 RCAD Digital Switch Gauge and Cant Measuring Device

For all common measuring points in switches and tracks.

THE ADVANTAGES. YOUR BENEFITS.

- Precise digital measurements @ 0.1 resolution
- Central, backlit measurement display
- Insulated from rail to rail
- Add-ons for extra features available

SPECIFICATION

Track gauge	1435 mm (1367 mm to 1475 mm)
Cant	+/- 225 mm
Flangeway clearance	20 - 128 mm
Check rail gauge	1347 - 1455 mm
Back-to-back distance	1327 - 1435 mm
Weight	2.5 kg

Other gauges available on request.



ROMEAS 83.50 RCAD - 9808350001

Option: Bluetooth upgrade

With the Bluetooth version, the displayed values can either be stored in the internal device storage or directly transferred to a paired smart device for further processing and storing. Supported operating systems: Android, iOS, Windows.

Option: MessApp

The MessApp software offers efficient support for 83.50 RCAD with Bluetooth upgrade. The transferred data are being stored and evaluated while exceeded tolerances are displayed immediately.

ACCESSORIES

Exchangeable measuring probes
 Non-conductive fibreglass design
 Separable design for gauge sizes ≥ 1435 mm
 Test adapter for switch blades (gauges 1/2)
 DB test adapter for switch blades (gauges 1/2/2-19/2-21)
 Frog nose inclination measuring unit (analogue)
 Groove depth measurement unit (analogue)

Check rail height measurement unit (analogue)
 Solid, well-padded transport case
 Transport bag for separable devices
 Bluetooth upgrade
 Wide measuring bases MB1100 and/or MB1800
 Software "MessApp"

ROMEAS 83.87 PLAT Platform Clearance Gauge

For measuring the distance between centre of track and platform (ramp) and for measuring the height from top of rail to platform edge, including track gauge and cross level measurements.

THE ADVANTAGES. YOUR BENEFITS.

- Insulated from rail to rail
- Supplied with two vertical measuring bars (700 mm and 1200 mm height related to platform edge)
- Storage of level measuring blocks in transport tube



SPECIFICATION

Track gauge	1435 mm (-10 mm to +40 mm)
Horizontally	from centre of track 0 mm to 2050 mm
Vertically	from top of rail 0 mm to 1200 mm
Superelevation	-30 mm to +200 mm
Weight	5.5 kg

Other gauges available on request.

ACCESSORIES

Transport and storage case

ROMEAS 85.01 SKM Rail Head Wear Measuring Device

To determine vertical and lateral wear of rail profiles.

Available in variants SKM 1 and SKM 2. SKM is scaled and can be pre-adjusted for different rail profiles. Other or additional rail profiles available on request.

THE ADVANTAGES. YOUR BENEFITS.

- Robust aluminium construction with magnetic clamp
- Includes handy plastic case
- Can be configured for further rail profiles
- DB user acceptance



SPECIFICATION

	SKM1	SKM2
Standard profiles	49E5, 54E4, 60E2	49E5, 54E4, 60E2
Lateral slide gauges	1	3
Measuring reference to rail centre line	45°	22.5°, 45°, 67.5°
Weight	1.2 kg	1.5 kg

ROMEAS 85.02 MP Measuring Gauge

For determining reference points L + L1 during welding work in switches and crossings.

- Galvanised surface
- For rails 49E1, 54E3, 60E1
- Special equipment for other rail profiles
- Weight 0.6 kg



ROMEAS 85.05 Rail Measuring Roller

For measuring the lengths of rail sections.

For rail profiles 49E1, 54E3, 60E1

THE ADVANTAGES. YOUR BENEFITS.

- Available in measuring tolerances “Standard” (under 0.05 %) and “Precision” (under 0.02 %)
- Counter above the running wheel (also counts backwards)

SPECIFICATION

Measuring range	up to 10,000 m
Wheel diameter	318.5 mm = 1 m circumference
Weight	5.5 kg

ACCESSORIES

Transport and storage case



ROMEAS 85.07 SA75 Track Spacing Instrument

For checking the track geometry with reference to a fixed point at the catenary support or adjacent track.

THE ADVANTAGES. YOUR BENEFITS.

Track distance and level measurements to the fixed point can be determined accurately in a single operation.

Note: For fixed point measurements to the centre of track half the track gauge is included.



SPECIFICATION

Measuring range	Measurable distance 1250 mm to 4262 mm
Measurable height	up to 700 mm
Weight	6.5 kg

ACCESSORIES

Transport and storage case

ROMEAS 85.20 Rail Thermometer

For measuring the target rail temperature for length compensation during rail neutralisation before joint welding.

THE ADVANTAGES. YOUR BENEFITS.

- Round with magnetic clamp
- White dial plate with easy-to-read scale

SPECIFICATION

Nominal size	40 mm
Measuring range Centigrade	-30 / +70° C
Measuring range Fahrenheit	-20 / +160° F
Weight	0.07 kg

ACCESSORIES

Aluminium screw cap box (Ø 46 x 23 mm)



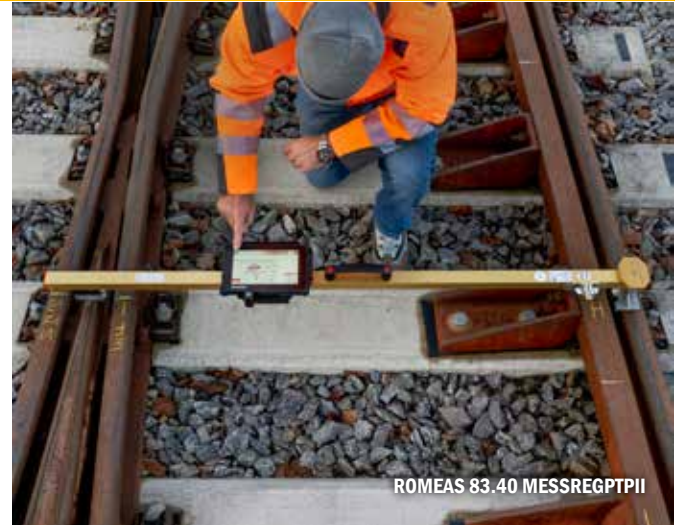
The digital measuring systems listed here are available on request from our ROBEL Holding partner 'Vogel & Plötscher'.

ROMEAS 83.40 MESSREG PTP II Portable Switch Inspection System

Digital point-to-point measurement (incl. instant evaluation) in switches and tracks.

THE ADVANTAGES. YOUR BENEFITS.

- Digital measuring system
- Equipped with a 8" outdoor tablet computer (Windows OS)
- User-friendly software with menu-guided measurement process
- Measuring points are recorded at the touch of a button
- Automatic storage and direct display of results (incl. exceeded tolerances)
- DB user acceptance
- Meets requirements of EN 13484-4:2011
- Mobile pushing trolley "WeichenCaddy II" (option)



ROMEAS 83.40 MESSREGPTPII

MEASURED PARAMETERS

- Track gauge
- Flangeway clearance
- Check rail gauge
- Back-to-back distance
- Cant
- Twist
- Calculated values
- Results of switch blade checking

ROMEAS 83.41 MESSREG CDM Track and Switch Inspection Trolley

Comprehensive measurement (incl. instant evaluation) of switches and tracks by automatic-continuous data capture every 5 mm.

THE ADVANTAGES. YOUR BENEFITS.

- Digital measuring system
- Menu-guided measurement process with display of measuring progress and current measurement values in real time
- Automatic storage and direct display of results (incl. exceeded tolerances)
- Comment function for entering customized notes or events
- Equipped with high-performance 10" outdoor notebook and comprehensive software package
- DB user acceptance
- Meets requirements of EN 13484-4:2011



ROMEAS 83.41 MESSREGCDM

MEASURED PARAMETERS

- Track gauge
- Flangeway clearance
- Flangeway depth (option)
- Check rail gauge
- Back-to-back distance
- Cant
- Twist
- Calculated values
- Results of switch blade checking
- Distance travelled
- GPS (option)

The digital measuring systems listed here are available on request from our ROBEL Holding partner 'Vogel & Plötscher'.

ROMEAS 84.15 MESSREG CTS II Track Measurement Trolley

Efficient and comprehensive measurement (incl. instant evaluation) of the most common track parameters (track gauge, cant, twist).

THE ADVANTAGES. YOUR BENEFITS.

- Digital measuring system
- Numerical graphic display of measurement values and measuring progress in real time
- Comment function for entering customized notes or events
- Equipped with powerful 10" outdoor tablet and userfriendly software package for data recording and evaluation
- Meets requirements of EN 13484-4:2011

MEASURED PARAMETERS

- Track gauge
- Cant
- Twist
- Distance travelled
- GPS (option)



ROMEAS 85.11 RMF 1100 Corrugation Measurement Trolley

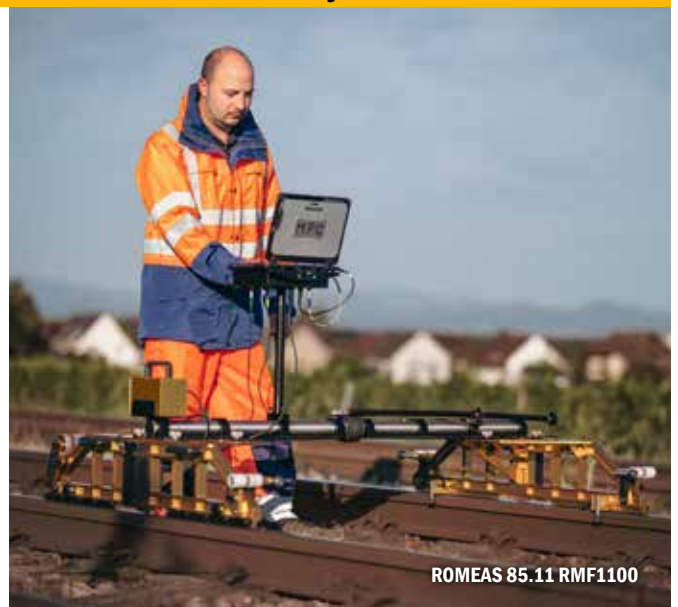
Automatic-continuous recording of the longitudinal profile from left and right rail (simultaneously) before/after rail treatment works.

THE ADVANTAGES. YOUR BENEFITS.

- Digital measuring system
- Evaluation of welding joints
- Acceptance of reprofiling work
- Numerical graphic display of measurement values and measuring progress in real time
- Comment function for entering customized notes or events
- Equipped with 10" outdoor notebook and userfriendly software package for data recording and evaluation.
- DB user acceptance
- Meets requirements of EN 13231-2:2020

MEASURED PARAMETERS

- Rail longitudinal profile (corrugation) in wavelength range 10 - 1000 mm
- Examination of welding joints
- Distance travelled



The digital measuring systems listed here are available on request from our ROBEL Holding partner 'Vogel & Plötscher'.

ROMEAS 85.12 RM 1200D Portable Corrugation Measuring System

For recording the longitudinal rail profile and weld joint inspection (measuring section = 1200 mm) before/after rail treatment works.

THE ADVANTAGES. YOUR BENEFITS.

- Digital measuring system
- Evaluation of welding joints
- Verification and acceptance of reprofiling work
- Numerical graphic display of measurement values and results
- Equipped with 8" outdoor tablet and userfriendly software package for data recording and evaluation.
- DB user acceptance
- Meets requirements of EN 13231-2:2020



MEASURED PARAMETERS

- Rail longitudinal profile (corrugation) in wavelength range 10 – 1000 mm
- Examination of welding joints
- Distance travelled

ROMEAS 85.15 RM 150HR Measuring System of the Rail Surface Quality

Automatic measurement and evaluation of the rail surface quality index (QI) before/after rail treatment works

THE ADVANTAGES. YOUR BENEFITS.

- Digital measuring system
- High resolution data capture at 0,1 μ
- Numerical graphic display of measurement values and results
- Accepted measurement and proof of the rail surface quality [QI] after rail treatment works.
- Equipped with powerful 8" outdoor tablet and userfriendly software package for data recording and evaluation.
- DB user acceptance
- Meets requirements of EN 13231-2:2020



MEASURED PARAMETERS

- Rail surface quality [QI]

The digital measuring systems listed here are available on request from our ROBEL Holding partner 'Vogel & Plötscher'.

ROMEAS 85.08 PML Laser-based transverse profile measuring system

Automatic capture (incl. evaluation) of the rail transverse profile of rails before/after rail treatment works.

THE ADVANTAGES. YOUR BENEFITS.

- Laser-based capture of the rail transverse profile
- Metal removal measurement
- Measurement and evaluation in real-time
- Comparison of the actual profile to many different target rail profiles
- Comparison of measurements before/after rail treatment
- Complies with EN 13231-2:2020
- Can be integrated into reprofiling machines
- For vignole rails (variant V)
- Option: grooved rail upgrade (variant VG)
- Can be used on most common track gauges



ROMEAS 85.08 PML

MEASURED PARAMETERS

- Rail transverse profile
- Metal removal

ROMEAS 85.16 RSCM Rail Flaw Testing System

RSCM is an advanced testing system to identify and rate defects (e.g. head checks, squats, cracks, RCF) within the rail near surface.

THE ADVANTAGES. YOUR BENEFITS.

- Detection and analysis of rail flaws down to 7 mm depth
- Unique and innovative technology based on magnetic-flux leakage testing
- Continuous-automatic measurement
- Covers the entire rail head
- Easy and instant data interpretation thanks to "damage heat map"
- Ideal supplement to ultrasonic measurement
- DB user acceptance
- Complies with EN 61000-6-4:2017



ROMEAS 85.16 RSCM

PROVIDED DATA

- Location and size/depth of near-surface rail flaws

Calibration and Repair

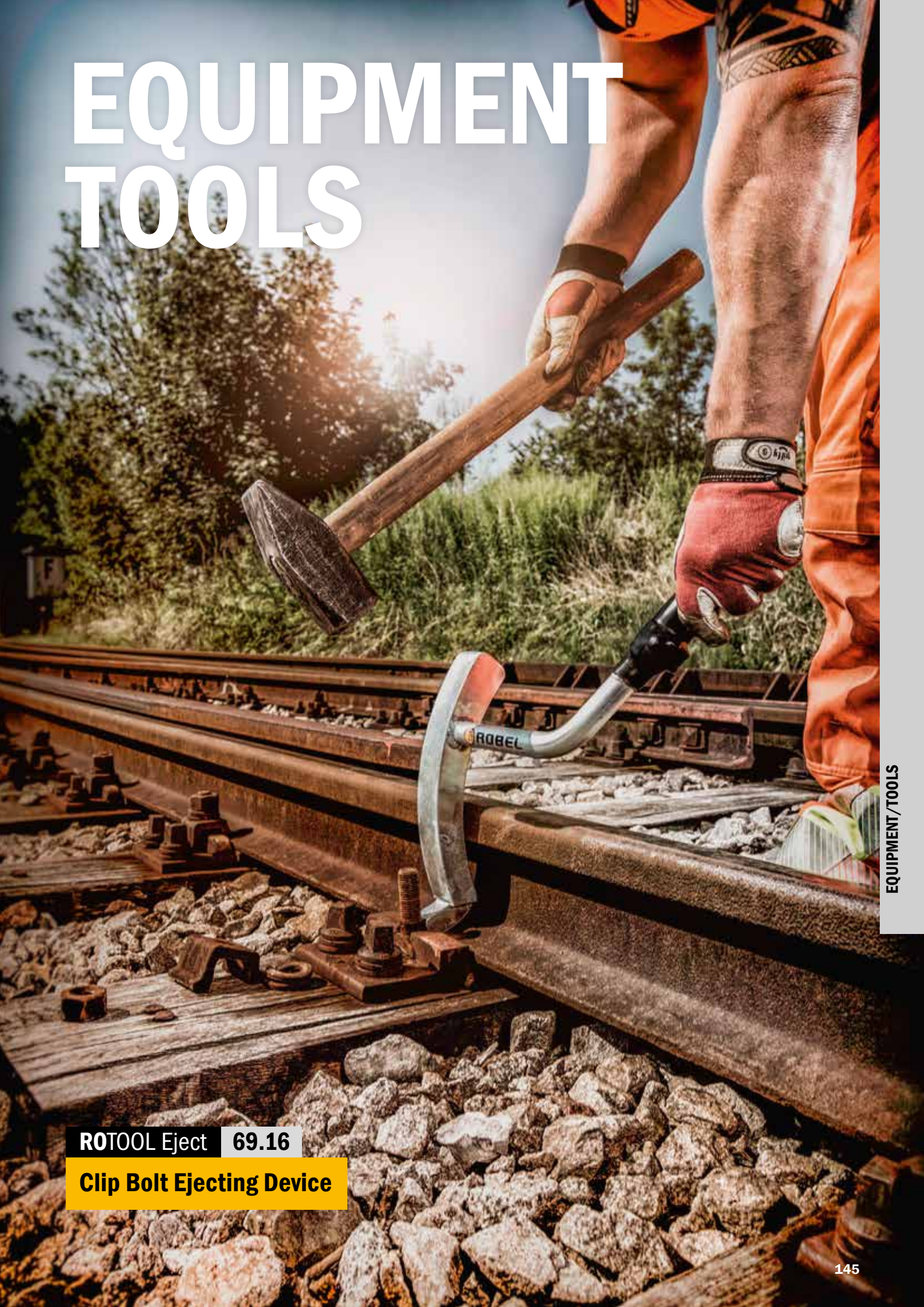
In line with applicable regulations and for operational safety, measuring equipment is to be tested and calibrated at regular intervals.

Your contact for calibration and repair of measuring instruments and systems:

Vogel & Plötscher GmbH & Co. KG, Geldermannstraße 4, 79206 Breisach, Tel. +49 7667 94 61 00, E-Mail. info@voploe.de

You can obtain further product information from our worldwide partners, from ROBEL Bahnbaumaschinen GmbH www.robел.com or Vogel & Plötscher GmbH & Co. KG www.vogelundploetscher.de

EQUIPMENT TOOLS



EQUIPMENT/TOOLS

ROTOOL Eject 69.16

Clip Bolt Ejecting Device

ROTOOL 68.03 Rail Tilting Device

For manual tilting of all common rail types.

- For all rails of a weight up to 65 kg/m
- Dimensions (L x W x H) 1300 x 140 x 35 mm
- Weight from 6 kg



ROTOOL 68.03 - 9891551001

ROTOOL 69.01 Drift Punch

Versions:

- 9800690290 Long version 290 mm,
Ø 15mm (cylindrical), from 1.8 kg
- 9800690001 Short version 210 mm,
Ø 16 mm (cylindrical), from 1.4 kg
- 9800690005 Hickory handle for track drift punch



ROTOOL 69.02 Crow Bar

Versions:

- 9002500087 with spike pulling notch and point,
L=1250 mm, Ø 30 mm, from 6.2 kg
- 9002500088 with cutting edge and point,
L=1500 mm, Ø 30 mm, from 8.0 kg
- 9806902001 with ball and point,
L=1800 mm, Ø 30 mm, from 10.1 kg



ROTOOL 69.03 Hammer

- For positioning rails into grooved plates and for driving plastic dowels into concrete sleepers
- With wear-resistant, replaceable plastic inserts

Versions:

- 9002500089 Hammer Ø 100 mm, from 5.3 kg
- 9002500112 Hammer Ø 125 mm, from 7.2 kg
- 9002501191 Hickory handle for hammer



ROTOOL 69.04 Track Ram

- To be used by 4 persons
- Wear-resistant, replaceable plastic inserts

Versions:

9800690004 Track ram, from 103 kg



ROTOOL 69.05 Tamping Pick

Versions:

8006905001 Tamping pick with handle, from 4.3 kg
9002500092 Tamping pick without handle, from 3.75 kg
9002500093 Handle for tamping pick



ROTOOL 69.06 Sleeper Hammer

- Forged with oval eye

Versions:

9002501193 Sleeper hammer 5 KG, from 5.5 kg
9002501194 Sleeper hammer 6 KG, from 6.5 kg
9002501195 Sleeper hammer 8 KG, from 9 kg



ROTOOL 69.07 Ballast Fork

Versions:

8006907001 Ballast fork (9-arm) with handle, from 2.7 kg
9002500095 Ballast fork (9-arm) without handle, from 1.8 kg
9002500109 Fork handle



ROTOOL 69.08 Points Lever

- For installing and removing plastic clips Ssb2, Ssb3 and Ssb4

Versions:

9800690003 Points lever, from 6 kg



ROTOOL 69.09 Steel Sheet Shovel

Versions:

- 8006909001 Steel sheet shovel with handle, from 1.9 kg
- 9002500098 Steel sheet shovel without handle, from 1.1 kg
- 9002500109 Shovel handle



ROTOOL 69.10 Switch Broom

- Switch broom with polypropylene insert
- Optional: Ice scraper attachment (self-installation)

Versions:

- 8006910002 Switch broom with handle, without ice scraper, from 1.9 kg
- 5169100100 Ice scraper without handle, from 1.1 kg



ROTOOL 69.11 Adze

Versions:

- 8006911001 Flat adze 85 mm with handle, from 1.4 kg
- 9002500120 Flat adze 85 mm without handle, from 1.1 kg
- 9002500120 Handle for adze



ROTOOL 69.12 Cold Chisel

Versions:

- 9002500103 Cold chisel with wood handle
L= 600 mm, from 1.9 kg
- 9002500104 Cold chisel without handle
- 9002500139 Wood handle for cold chisel



ROHORN 69.13 Single-Tone Signal Horn

- „Blowing horn“

Versions:

- 9800690013 Single-tone signal horn
- 9800690151 Replaceable mouthpiece (plastic)



ROSIGN 69.14 SH 2 Stop Disc

Rectangular (440 x 550 mm), red with white border

- 9002002107 Stop disc without holder
- 9002007862 Stop disc, reflecting, without holder
- 9002002293 Holder for stop disc, to be fixed on the rail
- 9000800249 Holder for stop disc, to be fixed on the rail, suitable for 2 x SH2 discs (with option for flashing warning light)



ROHORN 69.15 Multi-Tone Signal Horn

Versions:

- 9800690015 Multi-tone signal horn, from 0.8 kg
- 9800690151 Replaceable mouthpiece (plastic)



ROTOOL 69.16 Clip Bolt Ejecting Device

For removing rusted clip bolts from grooved base plates.

- 8006916001 Clip bolt ejector



ROTOOL 69.18 Extraction Socket

For extracting torn off sleeper screws.

Easy to extract with T-key, impact wrench or wrenching machine.

- Adapter AF 39
- Profile inside diameter 17.5 mm
- Outside diameter 26 mm

Versions:

- 8338950101 Extraction socket for wooden sleeper screw – short (L = 110 mm)
- 8338950180 Extraction socket for wooden sleeper screw – long (L = 150 mm)



ROLIFT 69.20 Sleeper Lifting Device

For lifting lower lying sleepers during track installation.

- Hook-in part for ribbed plates (K-type construction) and for sleeper bolts (W-type construction)
- Dimensions (L x W x H) 1040 x 60 x 190 mm
- Weight from 4 kg

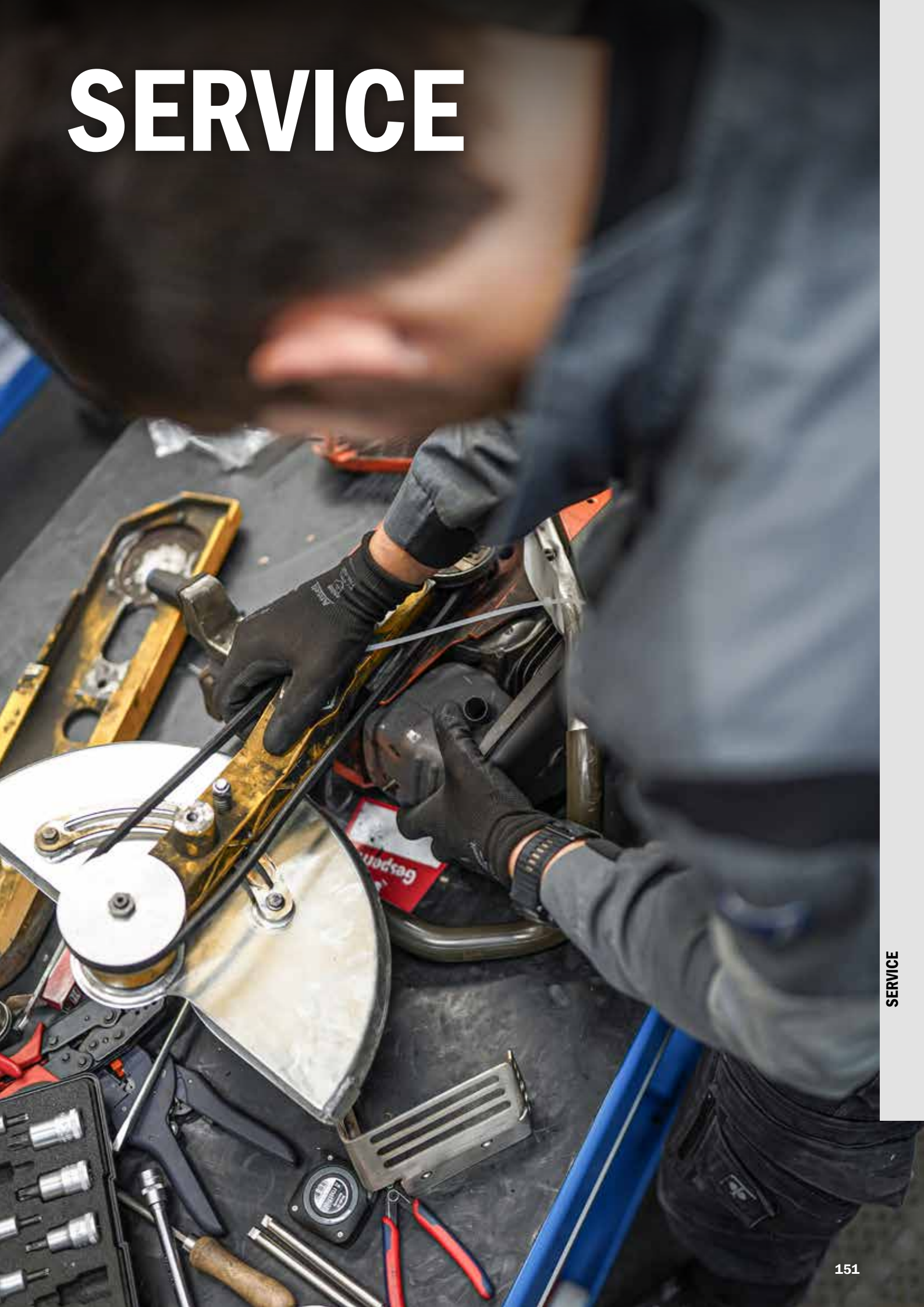


Torque Wrench

- 9002501218 Torque range 50 – 320 Nm
- 9002501790 Torque range 130 – 650 Nm
- 9002501248 Torque range 400 – 1000 Nm



SERVICE



SERVICE

What excellent service means

Reliable availability of modern track maintenance machines and equipment is one of the most important criteria for economically efficient operation. Trouble-free working and long periods of availability reduce downtimes and costs. Preventive maintenance ensures high functional safety and minimises consequential damage.

Excellent service guarantees a long service life and retains the value of equipment and is therefore the prerequisite for the effective and economically efficient use of machines.

When purchasing a ROBEL product, you not only get a high-quality make but also a reliable service partner.

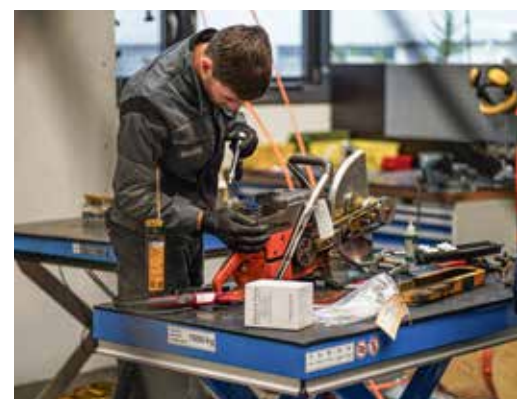


In addition to expert advice, ROBEL also offers a wide range of services so that you can perform your work successfully in the long term:

- **Repair and maintenance with the use of quality-approved original parts**
- **Modification and customisation work**
- **Assessment of damage**
- **Original spare and wear parts**
- **Machine demonstrations**
- **Telephone advice**
- **Training of operators and workshop staff**

ROBEL Service stands for meeting deadlines, value for money and flexible, non-bureaucratic support throughout the service life of a product.

Make use of our service offerings and utilise the full potential of your machines.



servicemw@robel.com



ROBEL Service training for you

Workshop online training

Digital training in the ROBEL digital workshop

Basic workshop training

Training by qualified ROBEL employees

Workshop training ROWRENCH 30.73PSM

Training on the precision power wrench

servicemw@robel.com

ROBEL WORLDWIDE NETWORK

NORTH AND CENTRAL AMERICA

Canada

ROBEL North America Corporation
Chris Drew
254 Fernwood Ave, Edison, NJ 08837, USA
+1 732 662 5671
chris.drew@robel.us

Mexico

ROBEL North America Corporation
Chris Drew
254 Fernwood Ave, Edison, NJ 08837, USA
+1 732 662 5671
chris.drew@robel.us

USA

ROBEL North America Corporation
Chris Drew
254 Fernwood Ave, Edison, NJ 08837, USA
+1 732 662 5671
chris.drew@robel.us

Belize, Costa Rica, El Salvador, Guatemala, Honduras, Nicaragua, Panama

ROBEL North America Corporation
Chris Drew
254 Fernwood Ave, Edison, NJ 08837, USA
+1 732 662 5671
chris.drew@robel.us

SOUTH AMERICA

Argentina

Mapekorep S.A.
Peter Korger
Cerrito 1266, 2° Piso Of. 9
Buenos Aires, Argentina
+54 11 4816 0205
info@mapeko.com.ar

Brazil

Plasser do Brasil Comercio Industria
e Representacoes Ltd.
Victor Loureiro Araújo
Rua Campo Grande 3050
23070-000 Rio de Janeiro, Brazil
+55 21 3470 7800
diretoria@plasser.com.br

Chile

IBD-TYMA Tecnología y Maquinaria Ltda.
Guido Goyeneche
Seminario 138, Providencia Santiago, Chile
+56 2 2222 9633
ggoyeneche@ibd-team.com

Colombia

RP AGENCIAS Y SERVICIOS TECNICOS S.A.S.
Rodolfo Prieto
Calle 81 No 7-66, apto 401, 110221 Bogotá,
Colombia
+57 315 298 0011 | +53 300 570 2014
r.prieto@pinzprieto.com

Peru

Global Support Systems S.A.
Gonzalo Arrieta
Urb. Huertos de Villena #342, Pachacamac
Lima 19, Peru
+51 136 73550
ventas@gss-peru.com

Uruguay

Potencia S.R.L.
Rafael Crespo Martí
Ambrosio Velazco 1589, 11400 Montevideo,
Uruguay
+598 26 142 407
potencia@me.com

EUROPE

Austria

ROBEL Bahnbaumaschinen GmbH
Stefan Simhofer
Industriestraße 31, 83395 Freilassing
Germany
+43 664 465 8018
Stefan.Simhofer@robel.com

Belgium

Rail & Road Service SPRL
Olivier Saucez
Avenue des Cottages 19, 4900 Spa, Belgium
+32 474 770 527
saucez@rail-road-service.com

Bulgaria

KT TRADE EOOD
Vladislav Gyurchev
20, Frederic Joliot Curie str., Floor 3, Office
302, Izgrev zh. k., 1113 Sofia, Bulgaria
+359 88 467 7044
office@kttrade.bg

Croatia

RMT GRUPA D.O.O.
Mario Tutić
J. Strganca 4, 10090 Zagreb, Croatia
+385 1 3891 249
rmtgrupa@rmt.hr

Czechia/Slovakia

VHC Trade spol.s r.o.
Jan Husák
Zelený pruh 1560/99, 140 00 Praha 4,
Czechia
+420 725 353 378
sales@vhctrade.cz

Denmark

Plasser Scandinavia AS
Mikael Gustafsson
Lyngbyvej 421, 2820 Gentofte, Denmark
+47 90 99 81 29
mg@plasser.no

Estonia/Latvia/Lithuania

Railmaster OÜ
Kristjan Kaunissaare
Saha tee 11, 74201 Loo, Harjumaa, Estonia
+372 523 8866
kristjan.kaunissaare@railmaster.ee

Finland

Ratanaula Oy
Mika Mankinen
Lehmustie 3B8, 11910 Riihimäki, Finland
+358 40 566 2630
mika@ratanaula.fi



France

ROBEL France SAS
Nils Vögeding
52 rue de la gare, 68520 Burnhaupt le Haut
France
+33 3 89 82 59 92
contact@robel.fr

Georgia/Azerbaijan/Armenia

SCHWAB Bahn-Baumaschinen Sp.z.o.o.
Dimitri Schwab
ul. Gesia 8/205, 31-535 Krakau, Poland
+49 172 7411182
dimitri.schwab@schwab-baumaschinen.com

Germany

North Germany

ROBEL Bahnbaumaschinen GmbH
Ulf Konecny
Industriestraße 31, 83395 Freilassing, Germany
+49 8654 609 549
Ulf.Konecny@robel.com

East Germany

ROBEL Bahnbaumaschinen GmbH
Dominic Müller
Industriestraße 31, 83395 Freilassing, Germany
+49 151 16985803
dominic.mueller@robel.com

East Germany

ROBEL Bahnbaumaschinen GmbH
Gerd Vogt
Industriestraße 31, 83395 Freilassing, Germany
+49 151 18856189
Gerd.Vogt@robel.com

South Germany

ROBEL Bahnbaumaschinen GmbH
Josef Rogl
Industriestraße 31, 83395 Freilassing, Germany
+49 151 18862828
Josef.Rogl@robel.com

West Germany

ROBEL Bahnbaumaschinen GmbH
Phillip Kannewurf
Industriestraße 31, 83395 Freilassing, Germany
+49 151 17112254
Phillip.Kannewurf@robel.com

Greece/Cyprus

DATARAIL N. Steinhauer & Co.
Nikolaus Steinhauer
Akarnanias Str. 10, 115 26 Athen, Greece
+30 210 729 0708
info@datarail.gr

Hungary

S-Hansa Kereskedelmi és Szolgáltató Betéti
Társaság
Pál Keller
Osagárd u. 72, 1172 Budapest, Hungary
+36 30 231 1280
postmaster@shansa.axelero.net

Italy

Plasser Italiana S.R.L.
Alessandro Lupi
Via del Fontanaccio 1, 00049 Velletri (RM), Italy
+39 342 795 2535
Alessandro.Lupi@robel.com

Kosovo

N.T.Sh. AGS
Dr. Gazmend Boshnjaku
Dardania BL. 1 Hy. 3, Nr. 5
Prishtinë 10000, Kosovo
+381 38 223 950
agkosova@gmail.com

Luxembourg

Rail & Road Service SPRL
Olivier Saucez
Gruss Strooss 22, 9991 Weiswampach
Luxembourg
+32 474 770 527
saucez@rail-road-service.com

Norway

Plasser Scandinavia AS
Manuela Möbius Lindås
Kristoffer Robins vei 13, 0978 Oslo, Norway
+47 22 10 15 50
post@plasser-scandinavia.com

Poland

Plasser Polska Sp. z.o.o.
Jakub Dzierzanowski
ul. Skrzypowa 1, 54-530 Wrocław, Poland
+48 601 237 773
info@plasser.pl

Portugal

Kurt Hommé & Companhia Lda.
José Leite
Avenida Sacadura Cabral no 49 - R/C
100-273 Lisboa, Portugal
+351 217 977 142
geral@kurthomme.com

Romania/Moldova

EXCO TRANSPORT SYSTEMS SRL
Liviu Bart
Bd. Dinicu Golescu 36, sector 1
010873 Bukarest, Romania
+40 21 310 2960
excocosys@excocosys.ro

Serbia/Bosnia-Herzegovina/ Montenegro

Lukintehnik d.o.o.
Vladimir Lukić
Indire Gandi 7, 11010 Belgrade, Serbia
+381 69 620018
office@ltehnik.com

Slovenia

BIJOL d.o.o.
Andrej Tisnikar
Livarska cesta 17a, 2367 Vuzenica, Slovenia
+386 28 790 156
andrej@bijol.si

Spain

Plasser & Theurer Ibérica S.A.U.
Luis Mariano Garcia Orozco
Avenida de Las Lunas n°9,
45529 Yuncler de la Sagra (Toledo), Spain
+34 925 534 111
ventas@plasser.es

Sweden

Plasser Scandinavia AS
Mikael Gustafsson
Lyngbyvej 421, 2820 Gentofte, Denmark
+47 90 99 81 29
mg@plasser.no

Switzerland

Rhomberg Sersa Rail Tec AG
Jürg Hürner
Nordstrasse 1, 5612 Villmergen, Switzerland
+41 56 618 72 00
juerg.huerner@rsrg.com

The Netherlands

SPIBA SPOORWEGGEREEDSCHAP
Robert Bakker
Wolfsenstraat 6, 2064 XL Spaarndam
Netherlands
+31 6 5314 2233
rbakker@spiba.nl

Ukraine

LLC „OD.EN“
Elena Huliak
Fontanska road 11, office 529,
65009 Odessa, Ukraine
+380 501058988
office@oden.in.ua

United Kindom/Ireland

Plasser UK Ltd.
Customer Support
Manor Road, West Ealing, W130PP London
United Kingdom
+44 20 8991 3085
customer.support@plasser.co.uk

AFRICA

Algeria

Sadi Ousaadi
55 Allée des Lilas, Omar KOUBA
16006 Algérie, Algeria
+213 555 984609
idas_os@yahoo.com

Angola

Zona Livre, SA
Antonio Weisz
Rua Lacerda Pintor, 5, Coqueiros Luanda
Angola
+244 93 2572346
geral@zonalivre.ao

Egypt

EL KARNAK Agency Co.
Sherif Azer Farag
Extension of Guesr El Suez St., 82, Industrial
Zone, 11769 Cairo, Ägypten
+20 22 6993921
sherif@egts.com

Ivory Coast/Gabon/Guinea/Senegal

TRAFIQRAIL SRL
Ibrahima Péllel Bah
181 Avenue voltaire boite 13, 1030 Brussels
Belgium
+32 491 72 45 48
ibrahima.pellel.bah@trafiqurail.com

Mozambique/Nigeria

Kurt Hommé & Companhia Lda.
José Leite
Rua das Rosas Nr 306, Maputo, Mozambique
+258 82 559 7638
geral@kurthomme.com

ASIA

China

ROBEL Railway Engineering Technology Co., Ltd.
William Lin
Sino-German Advanced Manufacturing
Technology International Innovation Park,
Bulding No. 3, No. 101, Chenmeng Jing Road
215400 Taicang, Jiangsu, China
+86 137 6111 6539,
william.lin@robelchina.com

Hong Kong

Plasser Far East Ltd.
Iris Kwok
2209, Tower One, Lippo Centre,
89 Queensway, Hong Kong
+852 2521 7391
iris.kwok@plasser.hk

India

Plasser India Pvt. Ltd.
Philip Hahn
Unit. No. 801 & 802, 8th floor, South Wing,
Tower 2, L&T business park, next to Sarai
Khawaja Road, Faridabad, Haryana 121003
India
+91 74286 99557
philip.hahn@robel.com
Dealer Contact:
Premier India Agencies
(Prop. Rahul Premier India Agency Pvt. Ltd.)
Anil Kumar Sharma
+91 9958007113
anils@piaindia.com

Indonesia

PT. Sarana Nusantara Industri
Eddy Kim
Menara Global 26th fl., Jl. Jend. Gatot Subroto
Kav. 27, 12950 Jakarta, Indonesia
+62 21 5279 683
eddy@multi-graha.com

Israel

Transport Technologies Partnership Ltd.
Yoram Trichter
Ramat Yam St 93, Hertsliya 4685193, Israel
+972 9 951 6066
yoramt@transtec.co.il

Japan

Nippon Plasser K.K.
Heinz Springer
1-33-1, Komagome, Toshima-ku,
Tokyo 170-0003, Japan
+81 3 5395 6280
office@nipponplasser.co.jp

Kazakhstan

Mechanization 1520 LLP
Zhan Kazlykov
Goethe 257/7, 050054 Almaty, Kazakhstan
+7 777 743 4301
info@m1520.kz



Malaysia

WARIS Bumi Gajah SDN.BHD
Kijay Kimis
Lot 102, Lorong Mamanda 2
68000 Ampang Point, Malaysia
+60 34 2565 788 | +60 12 3719 950
kkimis@asiakom.com.my

Pakistan

WARIS International
Tariq Farooq
Office No. 212, Eden Towers, Mainboilevard,
Gulberg-III, Lahore, Pakistan
+92 300 8435600
tariq.farooq@warisint.com

Saudi Arabia

Riyadh Company for Railway Supply
George Eissa
Olaya P.O.Box 14089, Riyadh 11424,
Saudi Arabia

Singapore

Plasser Far East Ltd.
Darrell Ang
2209, Tower One, Lippo Sentre
89 Queensway, Hong Kong
+852 9877 2622
dang@plasserfareast.com.hk

South Korea

ARA Bridge Ltd.
Sean Park
47, Changdeokgung 4 Gil,, 03057 Seoul -
Jongno Gu, South Korea
+82 26 325 1200
sean@arabridge.co.kr

Taiwan

ROBEL Railway Engineering Technology Co., Ltd.
William Lin
Sino-German Advanced Manufacturing
Technology International Innovation Park,
Bulding No. 3, No. 101, Chenmeng Jing Road
215400 Taican, Jiangsu, China
+86 137 6111 6539
william.lin@robeltaiwan.com

Turkey

LIMPRO Dis Tic. A.S.
Yildirim Akdere
Bükükdere Caddesi, Levent Loft 201/141
34394 Istanbul - Sisli, Turkey
+90 530 970 6629
yildirim@limpro.com.tr

United Arab Emirates

MAGTEC FZE
Chris Christou
PO Box 325713, Ras Al Khaimah,
United Arab Emirates
+971 50 220 1365
cc@magtecme.com

AUSTRALIA & NEW ZEALAND

Australia & New Zealand

KH1 Pty. Ltd.
Daniel Mociak
114 National Blvd, 3061 Campbellfield,
Victoria, Australia
+61 3 9357 5400
sales@KH1.com.au

SYSTEMS & VEHICLES

ROBEL has been supplying rail vehicles and maintenance systems to public and private railway operators and construction companies worldwide for 70 years. Close cooperation with customers and innovation drives intelligent technical solutions for occupational safety, environmental protection, economic efficiency, and increased productivity.

ROMIS

Mobile workshop



RORUNNER

Urban maintenance



ROREXS

Rail logistics



ROMILL

Rail treatment



„EVERYTHING FROM A SINGLE SOURCE“ – OVER THE ENTIRE MACHINE LIFE CYCLE

Plasser Robel Services provides support over the entire life cycle of Plasser & Theurer and ROBEL on-track vehicles and machines. With 250 employees at three locations in Germany, PRS is not only the largest service organization in the Plasser & Theurer Group, but also the only full-service provider on the market.

Visit pr-services.com for more information about Plasser Robel Services.



Visit robel.com for more information about ROBEL Systems & Vehicles

This brochure shows a cross-section of the ROBEL product range.
In addition to that, ROBEL supplies a wide range of work vehicles such as trailers, special units and stationary machines for work on rails and sleepers.

© 2022 ROBEL Bahnbaumaschinen GmbH

This work and all its parts are protected by copyright. All rights reserved, in particular the right of reproduction, translation and processing with electronic systems.

No claims can be made based on information or illustrations in this catalogue. Deviations and changes, especially with regard to technology, form, colour, equipment and price, are reserved.



ROBEL Bahnbaumaschinen GmbH
Industriestraße 31
D-83395 Freilassing
T +49 (0) 8654/609-0
F +49 (0) 8654/609-100
E info@robel.com
www.robel.com

11/2025

 **ROBEL**